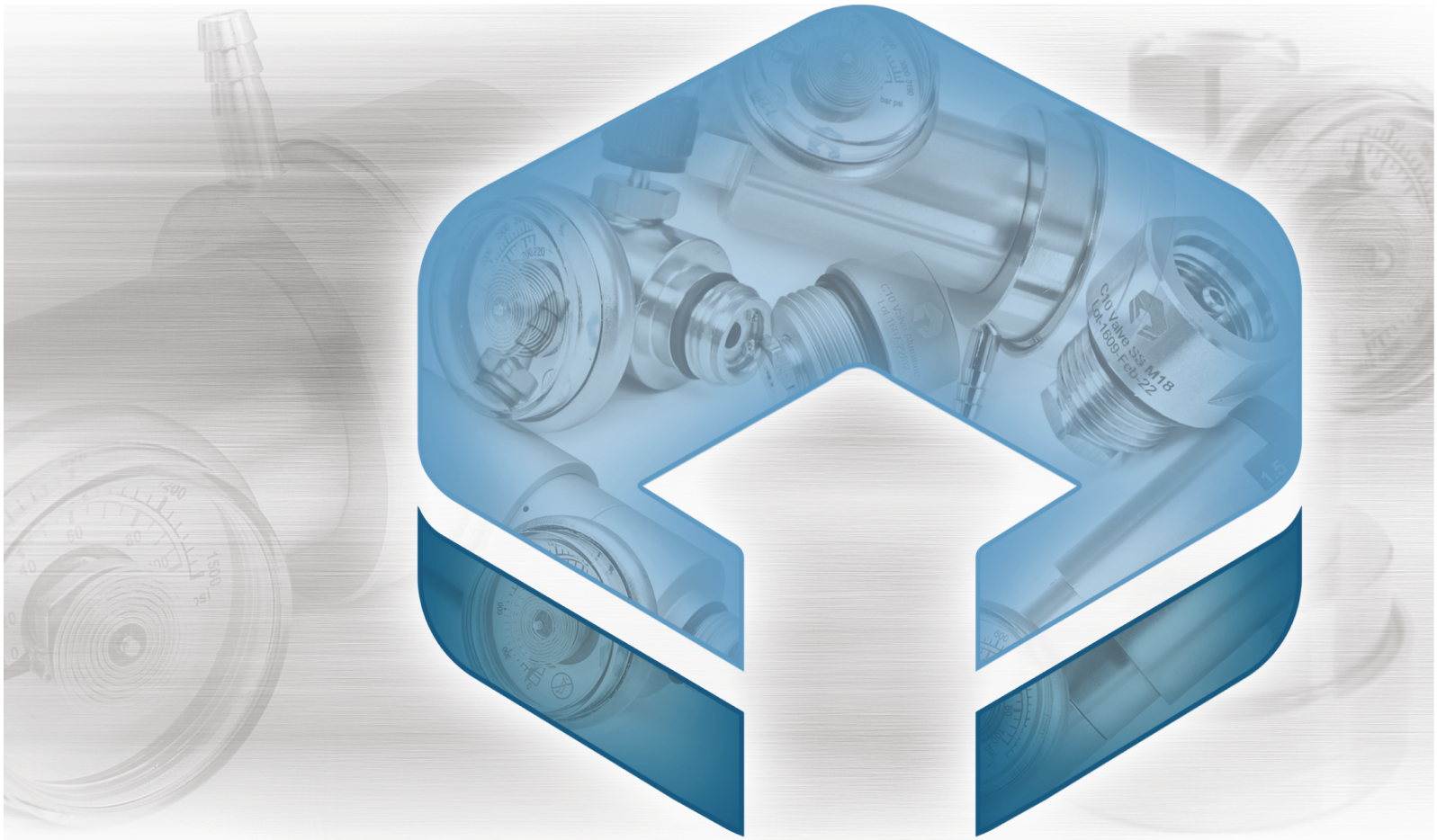
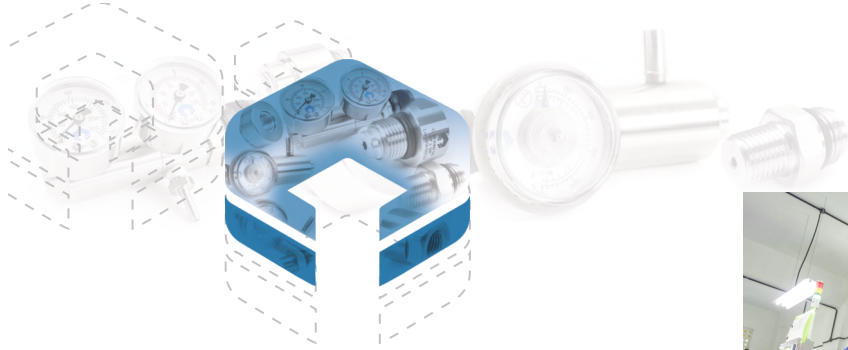


# PRODUCT CATALOGUE



**GOVIND**  
INDUSTRIES  
Precision Delivered



At **GOVIND INDUSTRIES** we believe,  
Quality is never an accident; it is always the result of high intention,  
sincere effort, intelligent direction and skillful execution; it represents  
the wise choice of many alternatives, the cumulative experience of  
many masters of craftsmanship. Quality also marks the search for an  
ideal after necessity has been satisfied and mere usefulness  
achieved.





## About us

### GOVIND INDUSTRIES

Founded in 2013, Govind Industries has swiftly become a trusted name in the manufacturing sector, specializing in calibration gas equipment. Our commitment to excellence and precision is evident in every product we create, ensuring the highest standards for our clients across various industries.

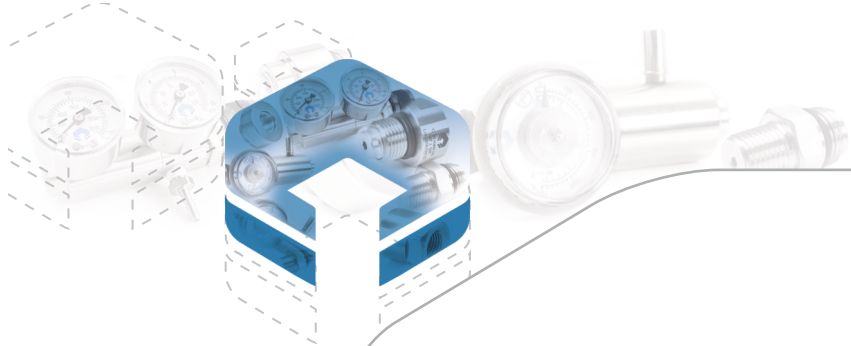
At Govind Industries, we understand the critical importance of accuracy and reliability in calibration gas equipment. Our team of skilled engineers and technicians utilize cutting-edge technology and meticulous processes to deliver products that meet and exceed industry standards. From design to final inspection, every step is governed by our unwavering commitment to precision.

Our slogan, "**Precision Delivered**," is not just a tagline; it encapsulates our ethos and dedication to providing equipment that our clients can rely on for their most demanding applications. Whether it's for laboratory use, industrial processes, or marine applications, Govind Industries is your partner in precision.

Join us on our journey as we continue to innovate and set new benchmarks in the calibration gas equipment industry. Govind Industries – where precision is more than a promise; it's our guarantee.







## CATALOGUE CONTENTS

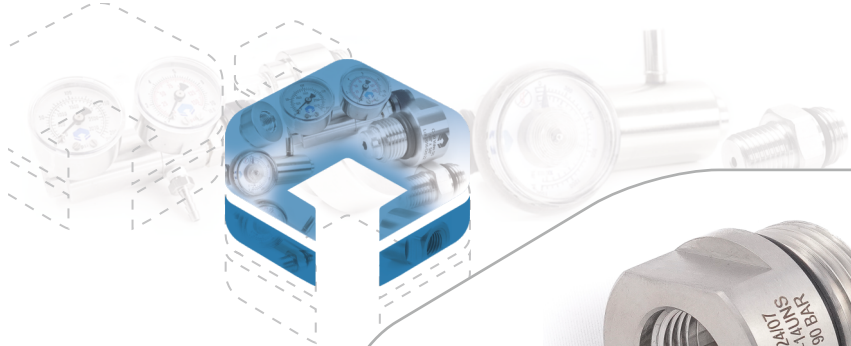
<b>Series</b>	<b>Category</b>	<b>Page No.</b>
<b>100</b>	<b>C10 Valves</b>	<b>1</b>
<b>200</b>	<b>Flow Control Valves</b>	<b>13</b>
<b>300</b>	<b>Push Button Regulator</b>	<b>19</b>
<b>400</b>	<b>Septum Regulator</b>	<b>22</b>
<b>500</b>	<b>Trigger Regulator</b>	<b>25</b>
<b>600</b>	<b>Solenoid Regulator</b>	<b>26</b>
<b>700</b>	<b>Adaptors</b>	<b>27</b>
<b>900</b>	<b>Fixed Flow Regulators</b>	<b>40</b>
<b>1200</b>	<b>Pressure Reducing Regulators</b>	<b>51</b>
<b>1300</b>	<b>Integrated C10 Valve</b>	<b>59</b>
<b>2000</b>	<b>Dial-a-Flow Regulators</b>	<b>60</b>
<b>3000</b>	<b>Vari-Flow Regulators</b>	<b>64</b>
<b>5000</b>	<b>Demand Flow Regulators</b>	<b>67</b>



# Series 100

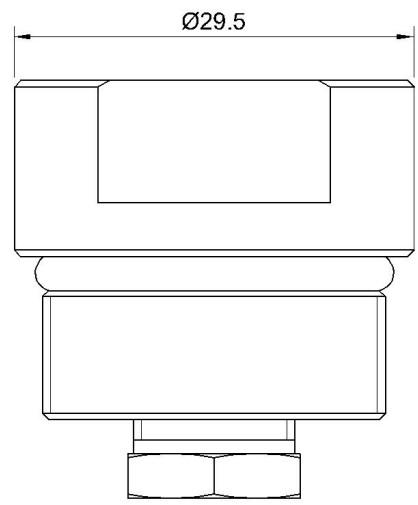
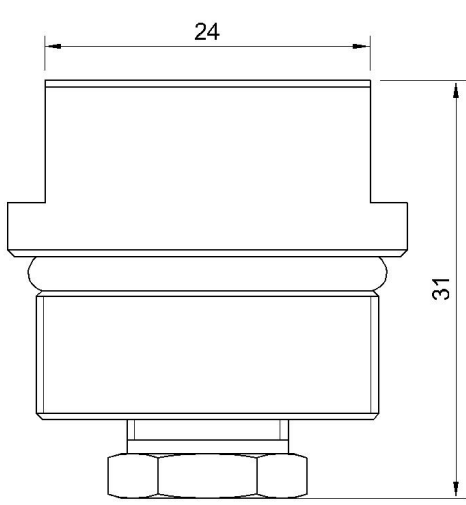


**GOVIND**  
INDUSTRIES  
Precision Delivered



## MODEL 101

C10-R-1"-5/8"-SS-π



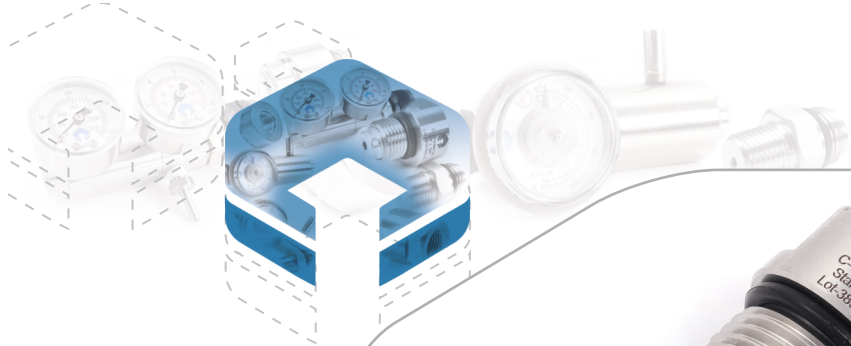
The C10 valve approved to EN ISO 17879 & ADR is a self-closing cylinder valve used for portable, refillable calibration gas cylinders.

### Materials of construction

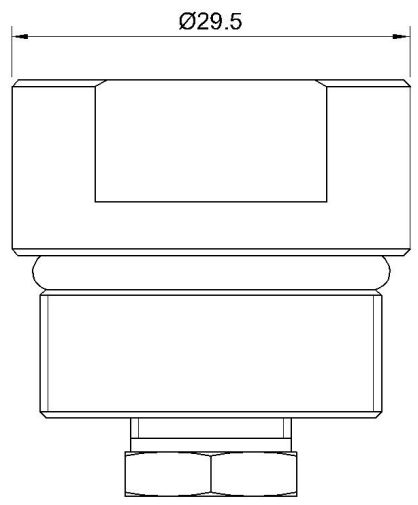
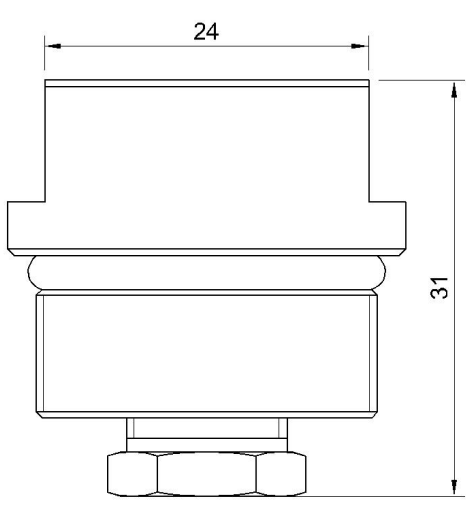
Body	Stainless Steel
Valve Pin	Stainless Steel
Valve Seat	Stainless Steel
Seats and Seals	Viton

Model	Working Pressure	For Reactive gases and/or non-reactive gases	Inlet Connection	Outlet Connection	Weight Kg
101	0 to 1305 psig/ 90 bar	Stainless Steel for Reactive Gases and Non-reactive Gases	1" x 14UN	5/8" x 18UN	0.090 Kg

**Warranty:-** All valves are warranted for 12 months.



**MODEL 102**  
C10-R-1"-5/8"-SS



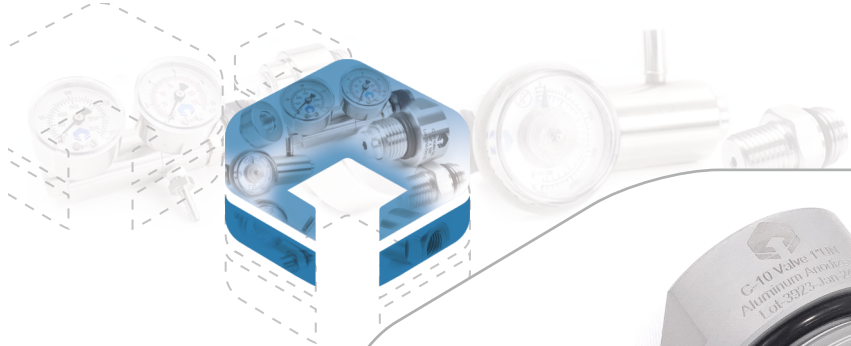
The C10 valve is a self-closing cylinder valve used for portable, refillable calibration gas cylinders.

**Materials of construction**

Body	Stainless Steel
Valve Pin	Stainless Steel
Valve Seat	Stainless Steel
Seats and Seals	Viton

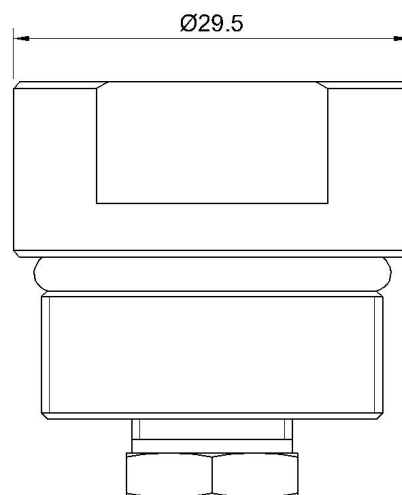
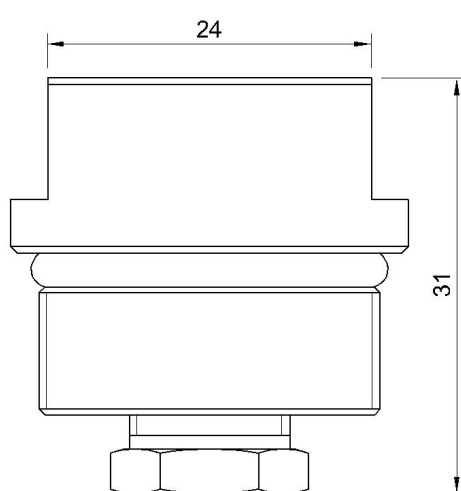
Model	Working Pressure	For Reactive gases and/or non-reactive gases	Inlet Connection	Outlet Connection	Weight Kg
102	0 to 1305 psig/ 90 bar	Stainless Steel for Reactive Gases and Non-reactive Gases	1" x 14UN	5/8" x 18UN	0.090 Kg

**Warranty:-** All valves are warranted for 12 months.



## MODEL 103

C10-R-1"-5/8"-Al



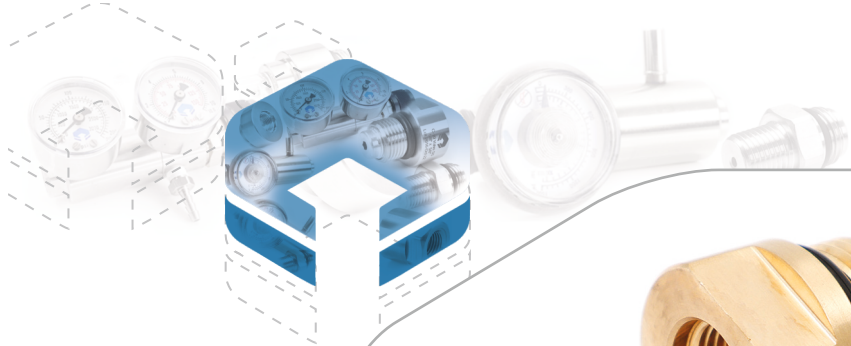
The C10 valve is a self-closing cylinder valve used for portable, refillable calibration gas cylinders.

### Materials of construction

Body	Aluminum Silver Anodized
Valve Pin	Stainless Steel
Valve Seat	Stainless Steel
Seats and Seals	Viton & Buna-N

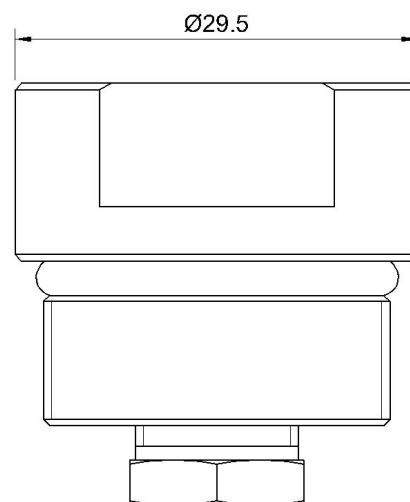
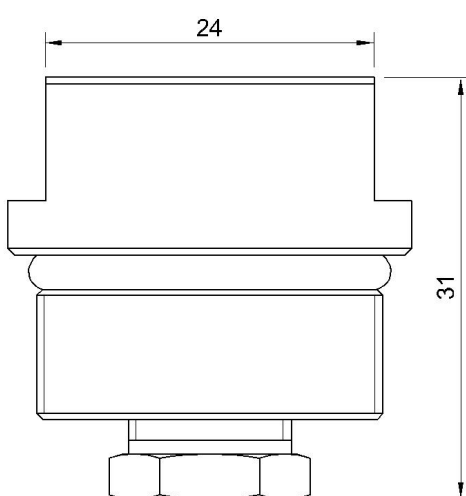
Model	Working Pressure	For Reactive gases and/or non-reactive gases	Inlet Connection	Outlet Connection	Weight Kg
103	0 to 1305 psig/ 90 bar	Aluminum Anodized for Reactive Gases & non-reactive gases	1" x 14UN	5/8" x 18UN	0.035 Kg

**Warranty:-** All valves are warranted for 12 months.



## MODEL 104

### C10-R-1"-5/8"-Brass



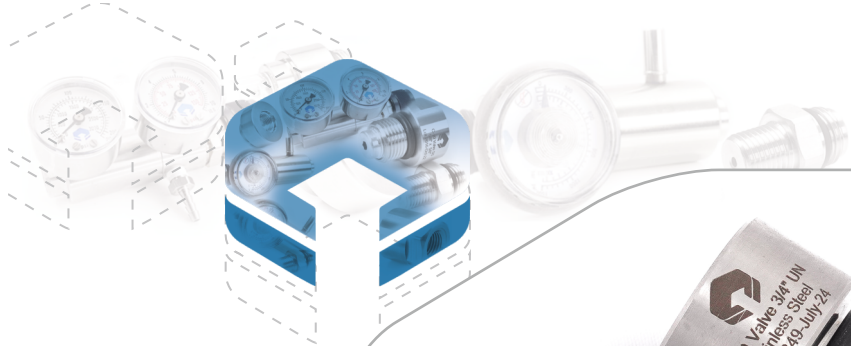
The C10 valve is a self-closing cylinder valve used for portable, refillable calibration gas cylinders.

#### Materials of constructions

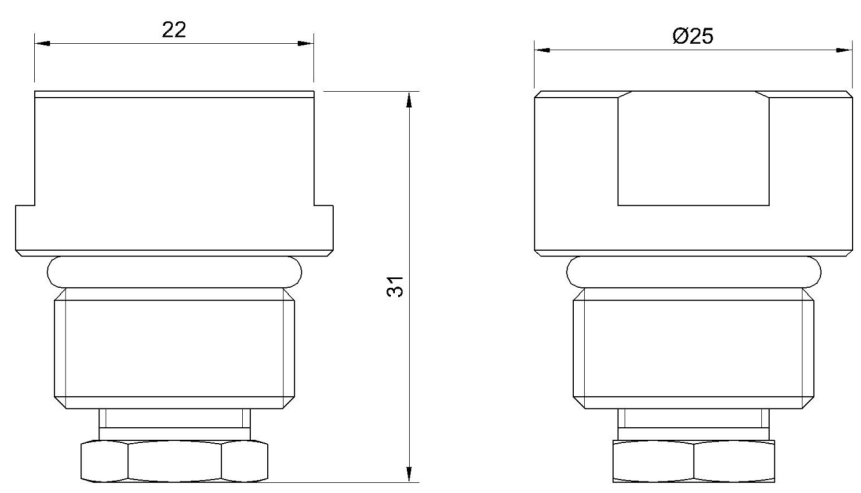
Body	Brass
Valve Pin	Brass
Valve Seat	Brass
Seats and Seals	Viton

Model	Working Pressure	For Reactive gases and/or non-reactive gases	Inlet Connection	Outlet Connection	Weight Kg
104	0 to 1305 psig/ 90 bar	Brass for non-reactive gases	1" x 14UN	5/8" x 18UN	0.100 Kg

**Warranty:-** All valves are warranted for 12 months.



**MODEL 105**  
C10-R-3/4"-5/8"-SS



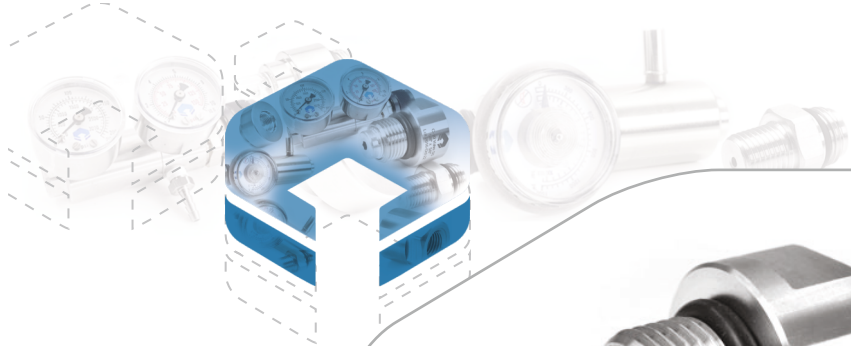
The C10 valve is a self-closing cylinder valve used for portable, refillable calibration gas cylinders.

**Materials of construction**

Body	Stainless Steel
Valve Pin	Stainless Steel
Valve Seat	Stainless Steel
Seats and Seals	Viton

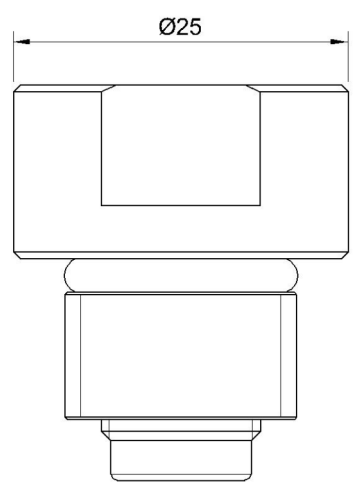
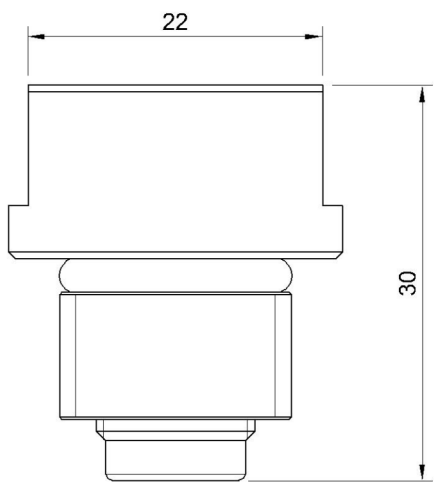
Model	Working Pressure	For Reactive gases and/or non-reactive gases	Inlet Connection	Outlet Connection	Weight Kg
105	0 to 1305 psig/ 90 bar	Stainless Steel for Reactive Gases and Non-reactive Gases	3/4" x 16 UN	5/8" x 18UN	0.053 Kg

**Warranty:-** All valves are warranted for 12 months.



## MODEL 106

C10-R-5/8"-5/8"-SS



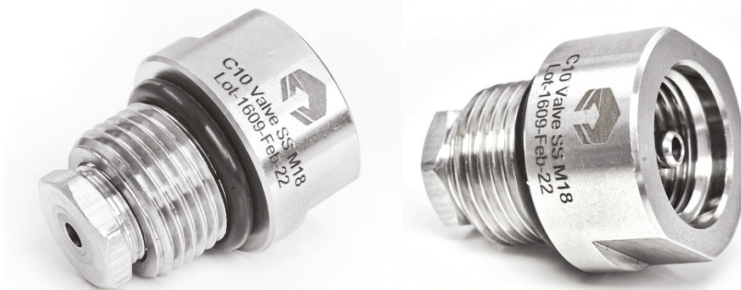
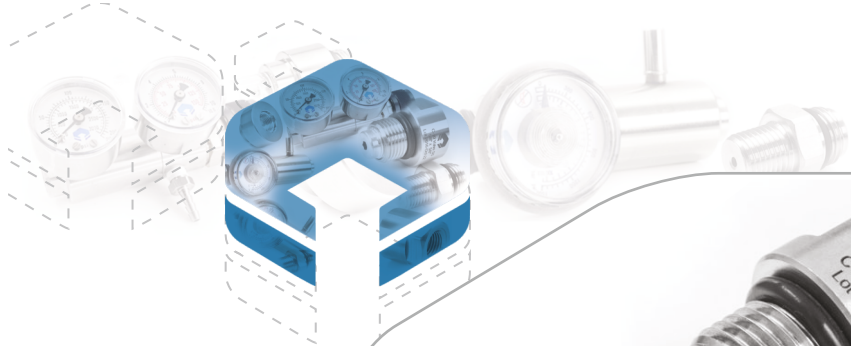
The C10 valve is a self-closing cylinder valve used for portable, refillable calibration gas cylinders.

### Materials of construction

Body	Stainless Steel
Valve Pin	Stainless Steel
Valve Seat	Stainless Steel
Seats and Seals	Viton

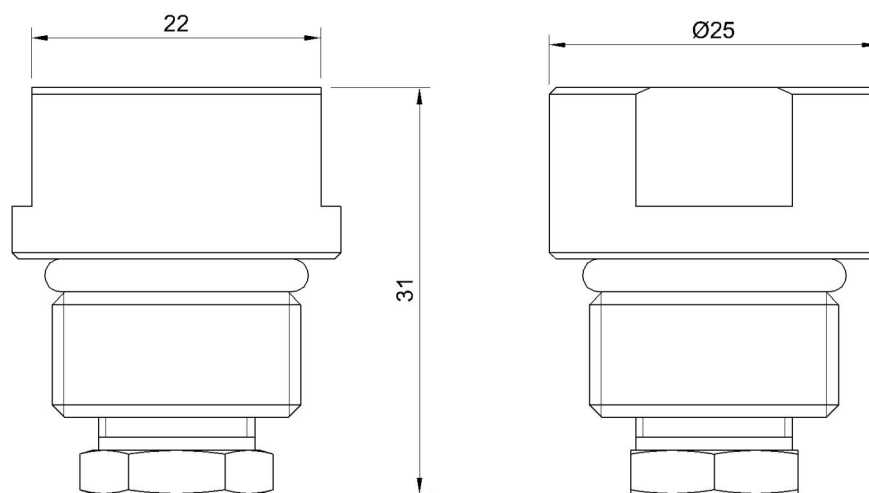
Model	Working Pressure	For Reactive gases and/or non-reactive gases	Inlet Connection	Outlet Connection	Weight Kg
106	0 to 1305 psig/ 90 bar	Stainless Steel for Reactive Gases and Non-reactive Gases	5/8" x 18UN	5/8" x 18UN	0.053 Kg

**Warranty:-** All valves are warranted for 12 months.



## MODEL 107

### C10-R-M18-5/8"- SS



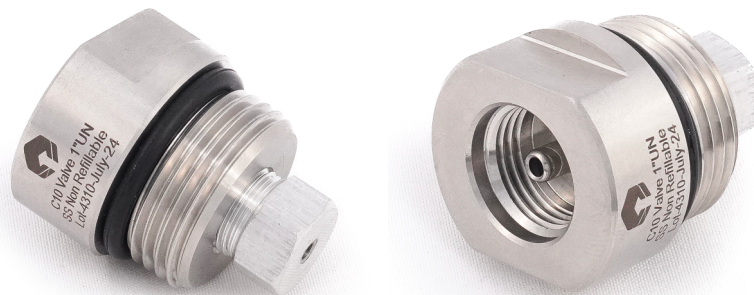
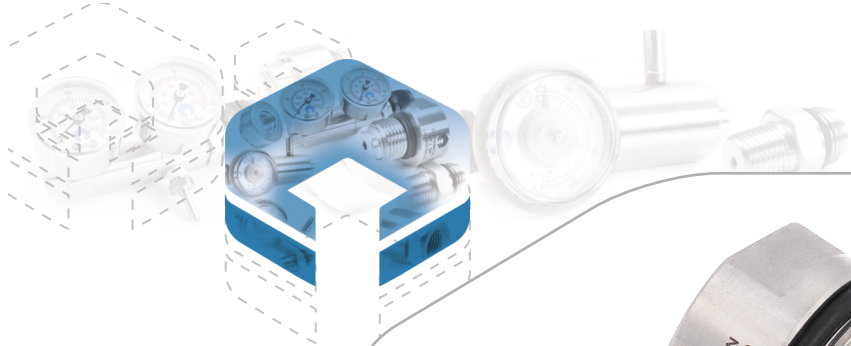
The C10 valve is a self-closing cylinder valve used for portable, refillable calibration gas cylinders.

#### Materials of construction

Body	Stainless Steel
Valve Pin	Stainless Steel
Valve Seat	Stainless Steel
Seats and Seals	Viton

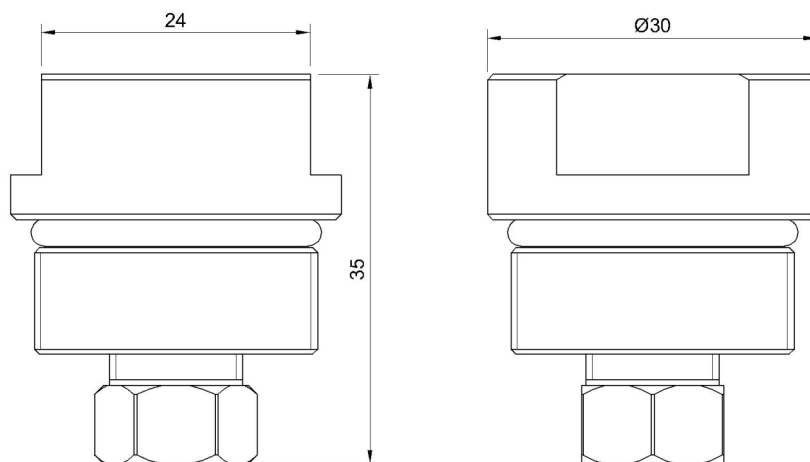
Model	Working Pressure	For Reactive gases and/or non-reactive gases	Inlet Connection	Outlet Connection	Weight Kg
107	0 to 1305 psig/ 90 bar	Stainless Steel for Reactive Gases and Non-reactive Gases	M18 x 1.5	5/8" x 18UN	0.061 Kg

**Warranty:-** All valves are warranted for 12 months.



## MODEL 108

C10-NR-1"-5/8"-SS



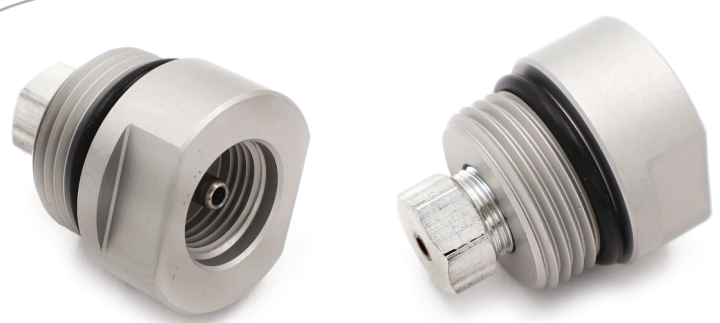
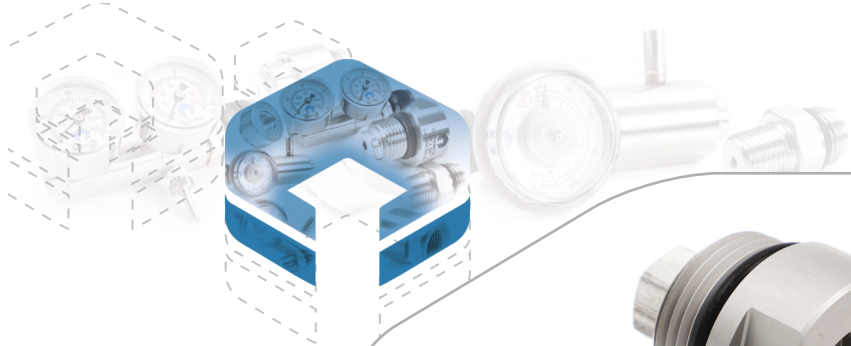
The non-refillable C10 valve is a self-closing cylinder valve used for portable, non-refillable calibration gas cylinders.

### Materials of construction

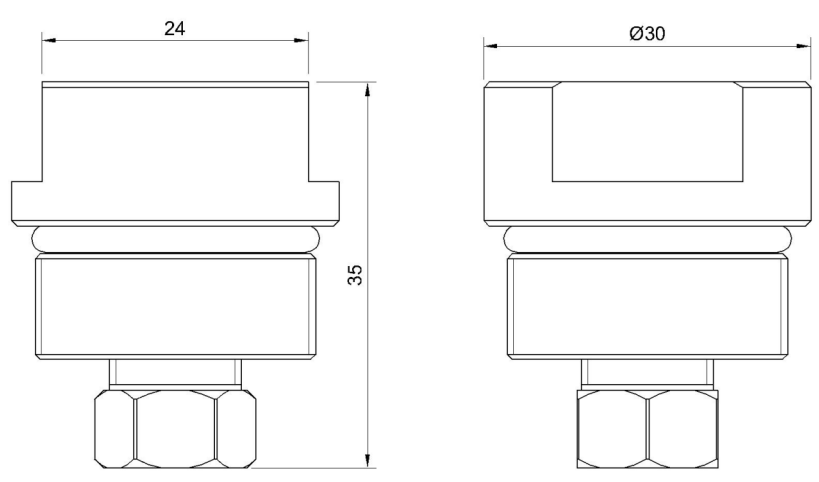
Body	Stainless Steel
Valve Pin	Stainless Steel
Valve Seat	Stainless Steel
Seats and Seals	Viton

Model	Working Pressure	For Reactive gases and/or non-reactive gases	Inlet Connection	Outlet Connection	Weight Kg
108	0 to 1305 psig/ 90 bar	Stainless Steel for Reactive Gases and Non-reactive Gases	1" x 14UN	5/8" x 18UN	0.091 Kg

**Warranty:-** All valves are warranted for 12 months.



**MODEL 109**  
C10-NR-1"-5/8"-Al



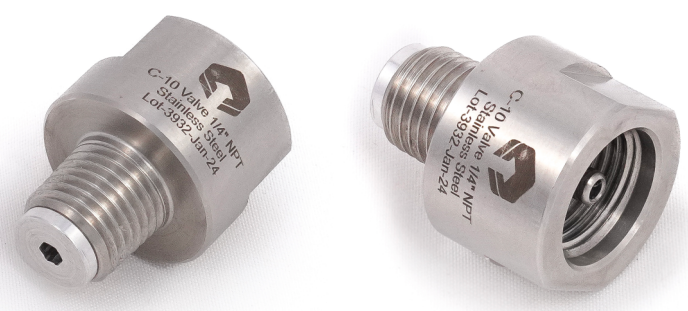
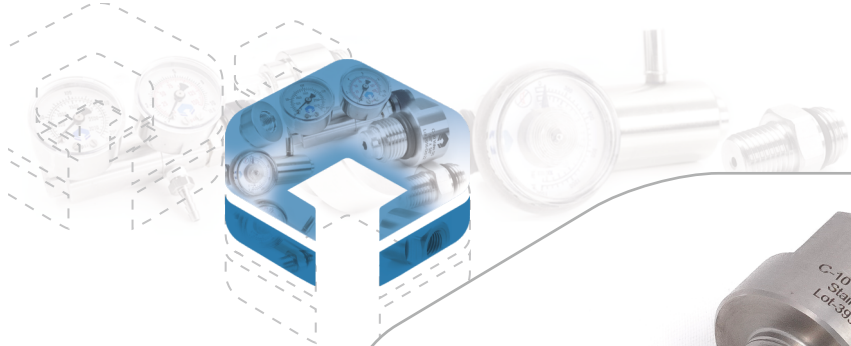
The non-refillable C10 valve is a self-closing cylinder valve used for portable, non-refillable calibration gas cylinders.

**Materials of construction**

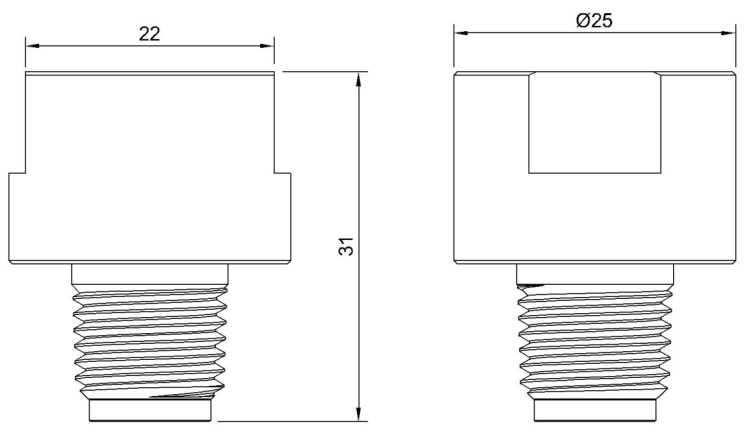
Body	Aluminum Silver Anodizing
Valve Pin	Stainless Steel
Valve Seat	Stainless Steel
Seats and Seals	Viton & Buna-N

Model	Working Pressure	For Reactive gases and/or non-reactive gases	Inlet Connection	Outlet Connection	Weight Kg
109	0 to 1300 psig/ 90 bar	Aluminum for non - reactive gases	1" x 14UN	5/8" x 18UN	0.037 Kg

**Warranty:-** All valves are warranted for 12 months.



**MODEL 110**  
C10-R-1/4"-5/8"-SS



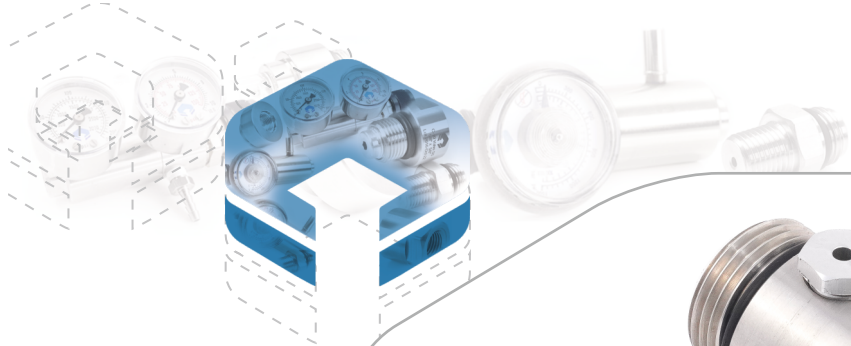
The C10 valve is a self-closing cylinder valve used for portable, refillable calibration gas cylinders.

**Materials of construction**

Body	Stainless Steel
Valve Pin	Stainless Steel
Valve Seat	Stainless Steel
Seats and Seals	Viton

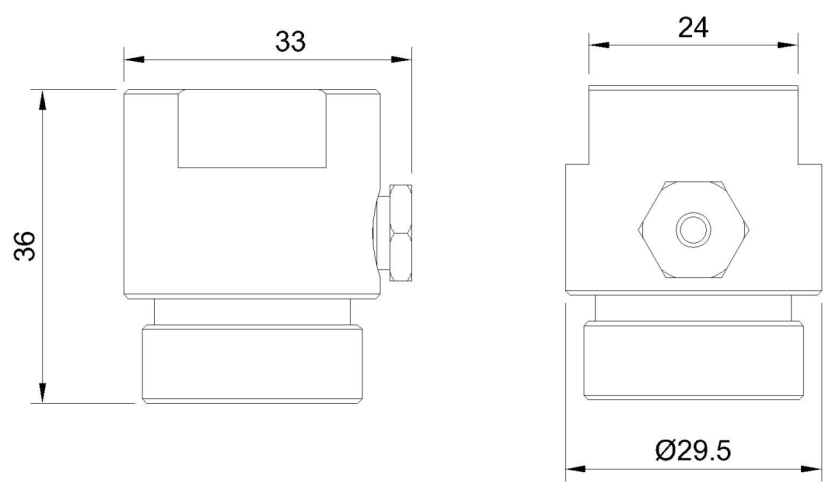
Model	Working Pressure	For Reactive gases and/or non-reactive gases	Inlet Connection	Outlet Connection	Weight Kg
110	0 to 1305 psig/ 90 bar	Stainless Steel for Reactive Gases and non-reactive gases	1/4" NPTM	5/8" x 18UN	0.057 Kg

**Warranty:-** All valves are warranted for 12 months.



## MODEL 111

C10-R-1"-5/8"-SS-BD



The C10 valve with Burst Disc is a self-closing cylinder valve used for portable, refillable calibration gas cylinders. This valve has a Burst Disc safety mechanism.

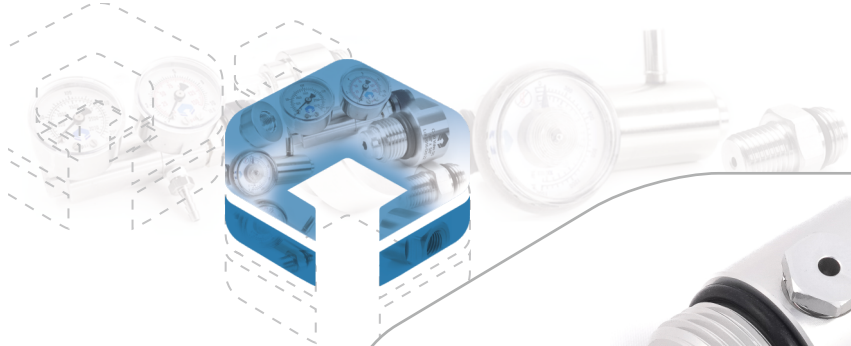
### Materials of construction

Body	Stainless Steel
Valve Pin	Stainless Steel
Valve Seat	Stainless Steel
Seats and Seals	Viton

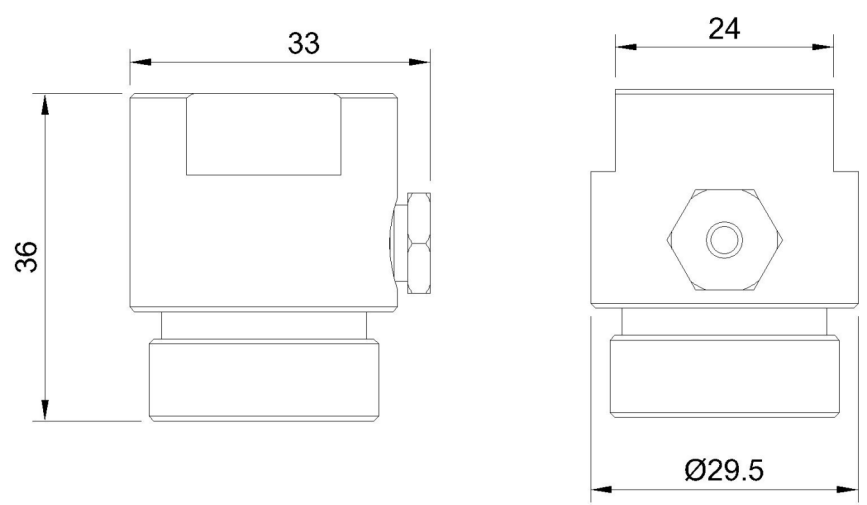
Model	Working Pressure	For Reactive gases and/or non-reactive gases	Inlet Connection	Outlet Connection	Weight Kg
111	Refer table	Stainless Steel for Reactive Gases and non-reactive gases	1" X 14 UN	5/8" x 18UN	0.135 Kg

Working Pressure	Burst disc pressure
0-600 psi	0-900 psi @ 63°C
0- 1200 psi	0-1750 psi @ 63°C

**Warranty:-** All valves are warranted for 12 months.



**MODEL 112**  
C10-R-1"-5/8"-Al-BD



The C10 valve with Burst Disc is a self-closing cylinder valve used for portable, refillable calibration gas cylinders. This valve has a Burst Disc safety mechanism.

**Materials of construction**

Body	Aluminum Anodized
Valve Pin	Stainless Steel
Valve Seat	Stainless Steel
Seats and Seals	Viton

Model	Working Pressure	For Reactive gases and/or non-reactive gases	Inlet Connection	Outlet Connection	Weight Kg
112	0 to 1305 psig/ 90 bars	Aluminum for Reactive Gases and non-reactive gases	1" X 14 UN	5/8" x 18UN	0.057Kg

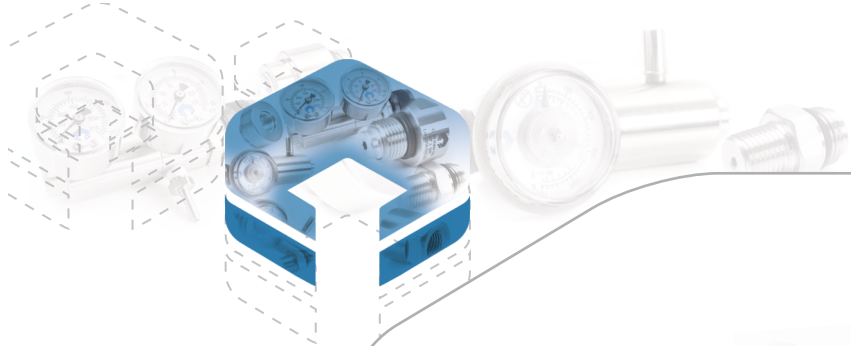
**Warranty:-** All valves are warranted for 12 months.



# Series 200

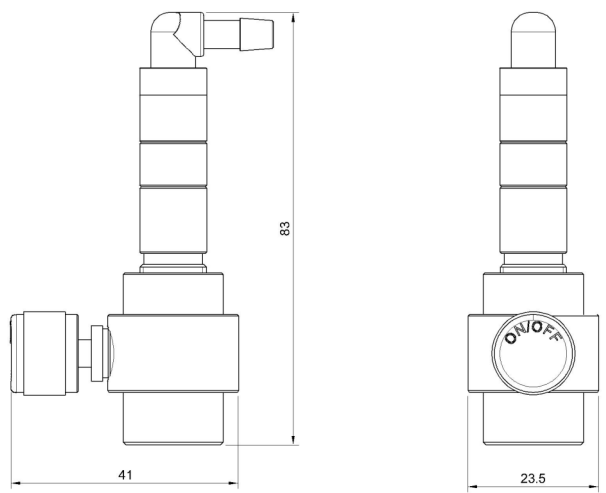


**GOVIND**  
INDUSTRIES  
Precision Delivered



## MODEL 201

### FLOW CONTROL VALVE-AEROSOL BRASS NP



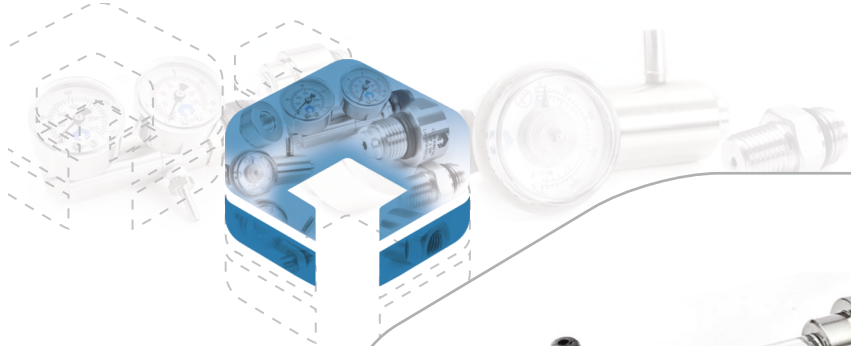
The flow control valve aerosol is used for non-reactive calibration gases and industrial safety monitors.

#### Materials of construction

Body	Brass Nickel Plated
Spindle & Nut	Brass
Knob	Aluminum black anodized
Flow Meter	Acrylic
Seats and Seal	Buna-N

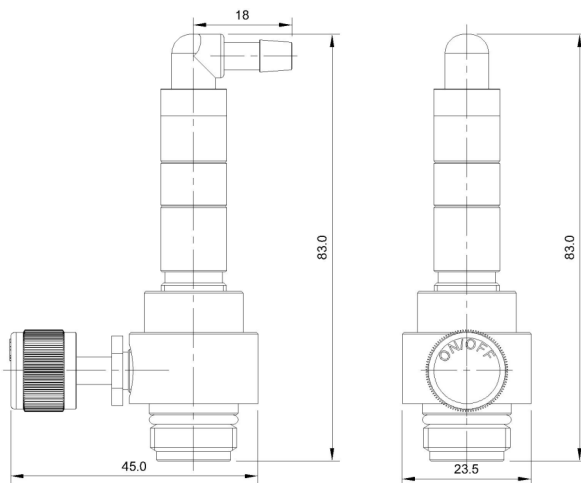
Model	Working Pressure	For Reactive gases and/or non-reactive gases	Inlet Connection	Outlet Connection	Weight Kg
201	0 to 300 psig/ 20 bar	Brass NP for non-reactive gases	Aerosol	3/16" Barb Hose	0.089 Kg

**Warranty:-** All valves are warranted for 12 months.



## MODEL 202

### FLOW CONTROL VALVE-C10 BRASS NP



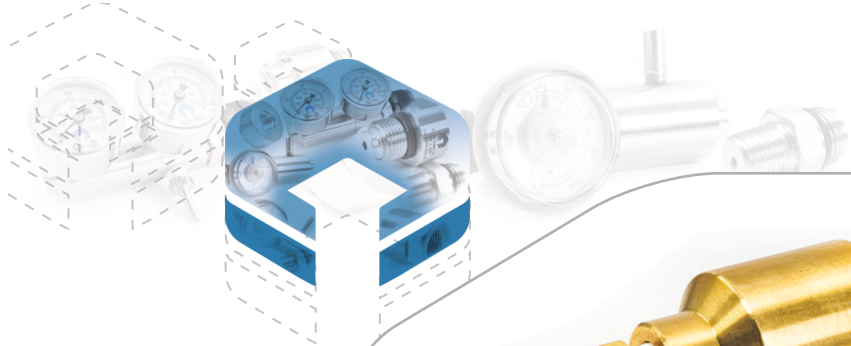
The flow control valve C10 is used for non-reactive calibration gases and industrial safety monitors.

#### Materials of construction

Body	Brass Nickel Plated
Spindle & Nut	Brass
Knob	Aluminum black anodized
Flow Meter	Acrylic
Seats and Seal	Buna-N, Viton

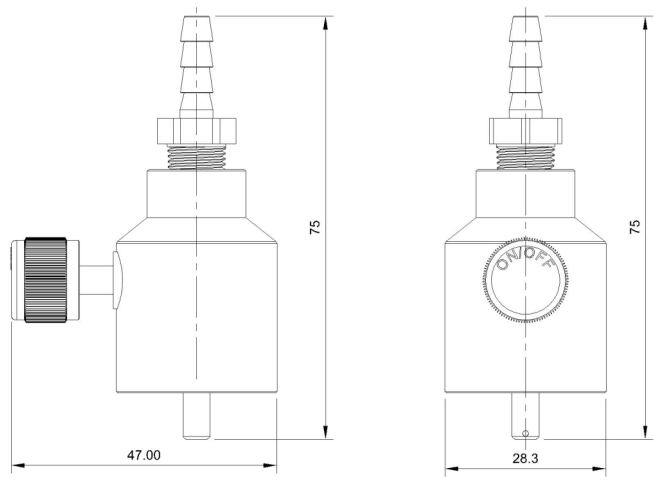
Model	Working Pressure	For Reactive gases and/or non-reactive gases	Inlet Connection	Outlet Connection	Weight Kg
202	0 to 1200 psig/ 83 bar	Brass NP for non-reactive gases	5/8" x 18UN -C10	3/16" Barb Hose	0.086 Kg

**Warranty:-** All valves are warranted for 12 months.



## MODEL 203

FLOW CONTROL VALVE- CGA-600 – 3/16" BARB HOSE BRASS



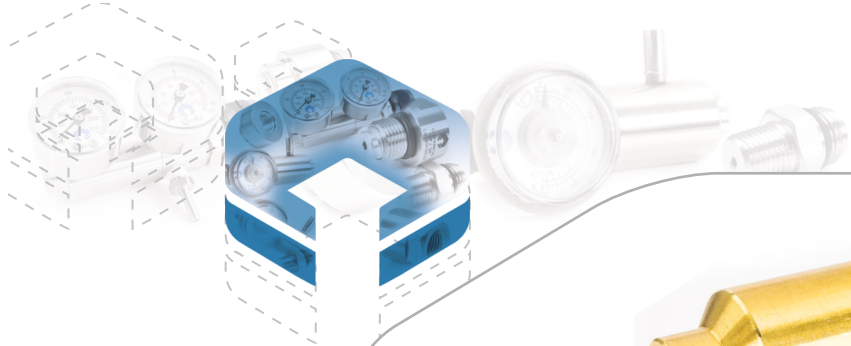
The flow control valve CGA-600 inlet is used for non-reactive calibration gases and industrial safety monitors.

### Materials of construction

Body	Brass
Spindle & Nut	Brass
Knob	Aluminum black anodized
Barb Hose	Brass
Seats and Seal	Buna-N

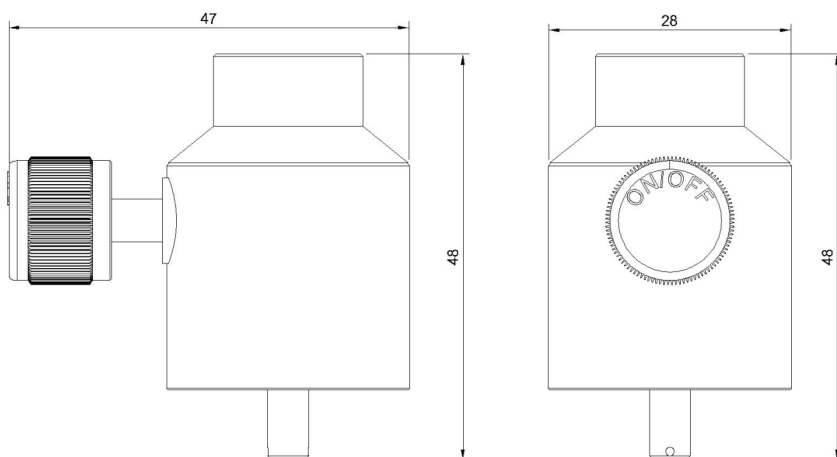
Model	Working Pressure	For Reactive gases and/or non-reactive gases	Inlet Connection	Outlet Connection	Weight Kg
203	0 to 600 psig/ 40 bar	Brass for non-reactive gases	CGA-600	3/16" Barb Hose	0.141 Kg

**Warranty:-** All valves are warranted for 12 months.



## MODEL 204

FLOW CONTROL VALVE- CGA-600 – 1/8" FNPT BRASS



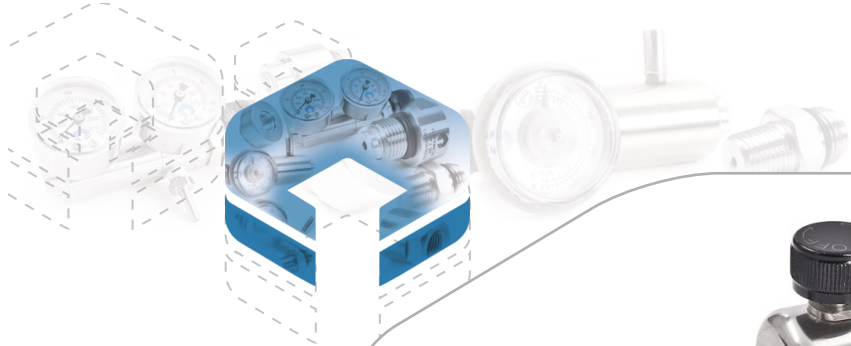
The flow control valve CGA-600 inlet is used for non-reactive calibration gases and industrial safety monitors.

### Materials of construction

Body	Brass
Spindle & Nut	Brass
Knob	Aluminum black anodized
Seats and Seal	Buna-N

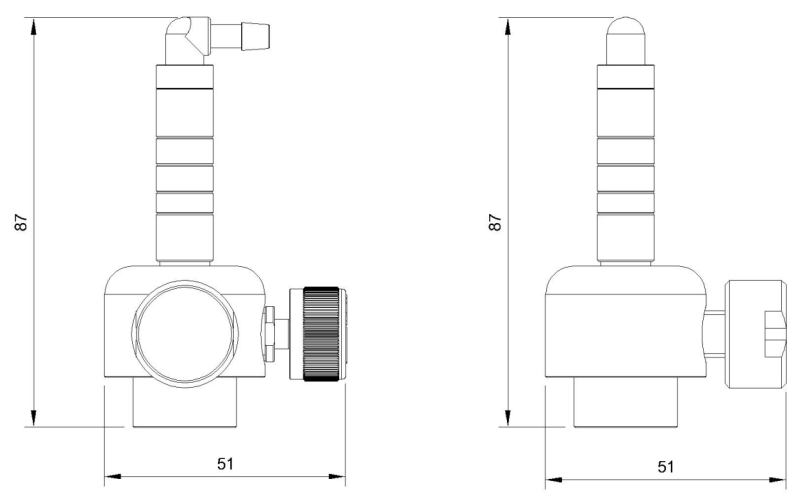
Model	Working Pressure	For Reactive gases and/or non-reactive gases	Inlet Connection	Outlet Connection	Weight Kg
204	0 to 600 psig/ 40 bar	Brass for non-reactive gases	CGA-600	1/8" FNPT	0.128 Kg

**Warranty:-** All valves are warranted for 12 months.



## MODEL 205

### FLOW CONTROL VALVE-S FLOW-F1 BRASS NP



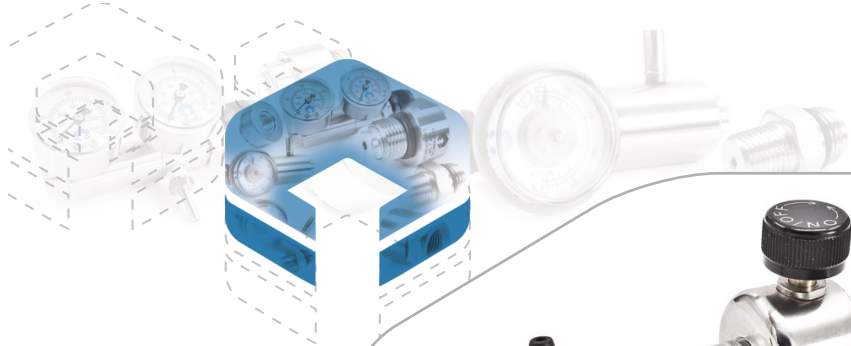
The flow control valve S Flow- F1 is used for non-reactive calibration gases and industrial safety monitors.

#### Materials of construction

Body	Brass Nickel Plated
Spindle & Nut	Brass
Knob	Aluminum black anodized
Flow Meter	Acrylic
Seats and Seal	Buna-N

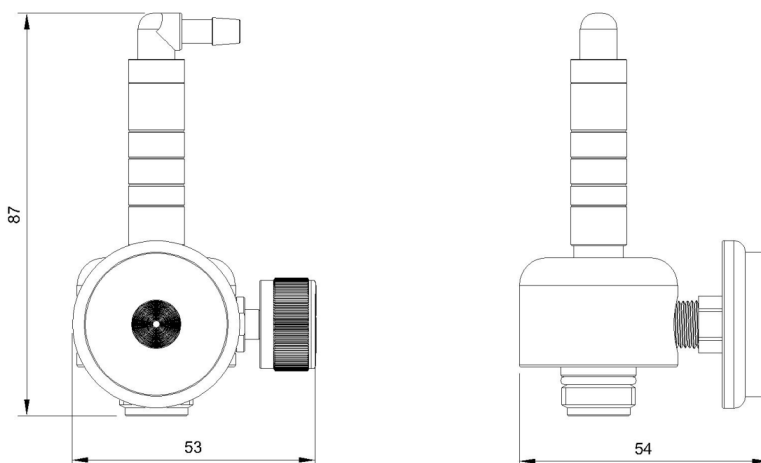
Model	Working Pressure	For Reactive gases and/or non-reactive gases	Inlet Connection	Outlet Connection	Weight Kg
205	0 to 300 psig/ 20 bar	Brass NP for non-reactive gases	Aerosol	3/16" Barb Hose	0.233 Kg

**Warranty:-** All valves are warranted for 12 months.



## MODEL 206

### FLOW CONTROL VALVE-S FLOW-F2 BRASS NP



The flow control valve S Flow- F2 is used for non-reactive calibration gases and industrial safety monitors.

#### Materials of construction

Body	Brass Nickel Plated
Spindle & Nut	Brass
Knob	Aluminum black anodized
Flow Meter	Acrylic
Seats and Seal	Buna-N, Viton

Model	Working Pressure	For Reactive gases and/or non-reactive gases	Inlet Connection	Outlet Connection	Weight Kg
206	0 to 1200 psig/ 83 bar	Brass for non-reactive gases	5/8" X 18UN -C10	3/16" Barb Hose	0.209 Kg

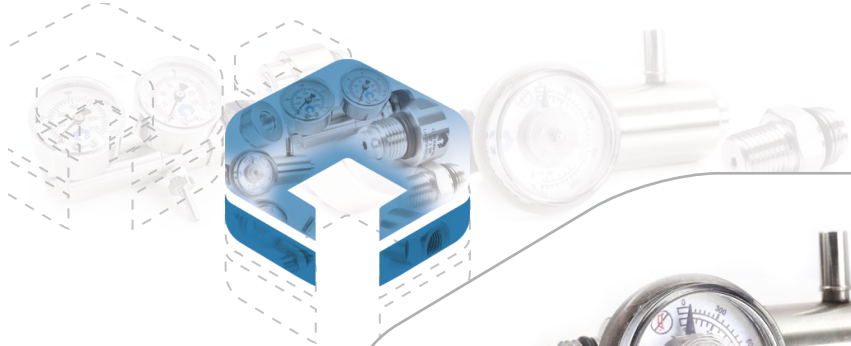
**Warranty:-** All valves are warranted for 12 months.



# Series 300

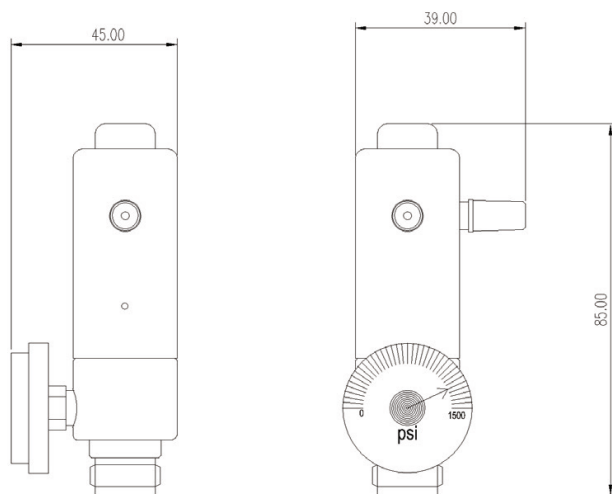


**GOVIND**  
INDUSTRIES  
Precision Delivered



## MODEL 301

### PUSH BUTTON REGULATOR C10 BRASS NP



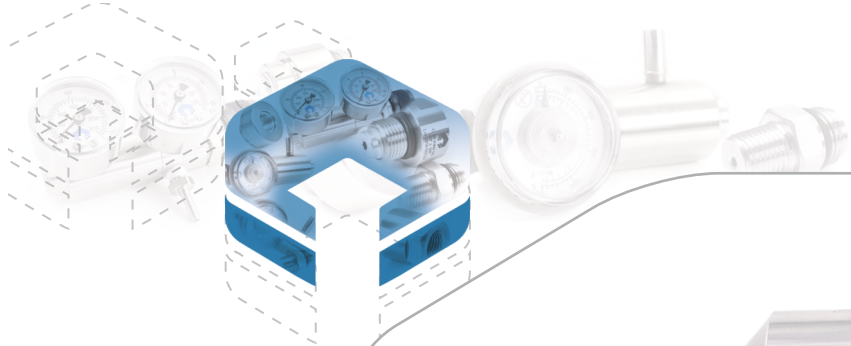
The Push Button Regulator allows the end user to manually draw gas at a constant flow, at a specific time from the cylinder with negligible flow loss. They are used for bump testing of hand-held gas detectors.

#### Materials of construction

Body	Brass Nickel Plated
CAP	Brass Nickel Plated
Piston	Brass
Button	Brass Nickel Plated
Seats and Seals	Viton, Buna-N, Teflon
Flow	Fixed as per customers requirement - 0.1 to 8.0 L/Mn

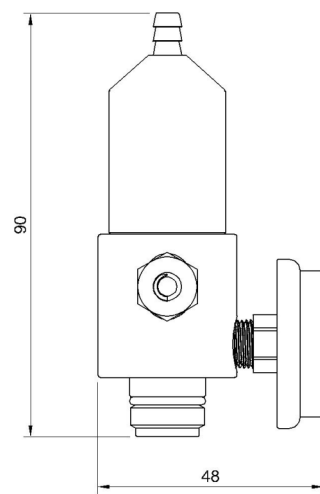
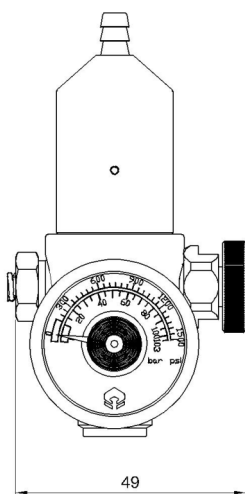
Model	Maximum Inlet Pressure	For Reactive gases and/or non-reactive gases	Inlet Connection	Outlet Connection	Outlet Pressure	Gauge	Weight Kg
301	0 to 1200 Psig / 83 bar	Brass NP- For Non-Reactive Gases	5/8"x18UN C10	6 MM Taper	60 psig- 4.1bar	Brass 0 to 1500 psig 103 bar	0.330 Kg

**Warranty:-** All regulators are warranted for 12 months.



## MODEL 302

### PUSH TYPE REGULATOR-C10-BRASS NP



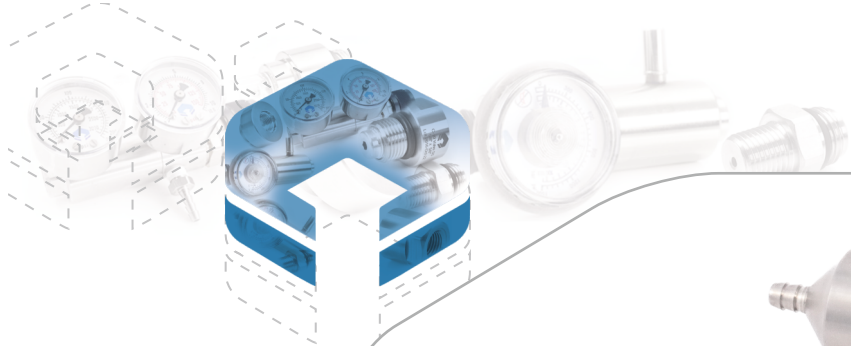
The Push Type Regulator allows the end user to manually draw gas at a constant flow, at a specific time from the cylinder with negligible flow loss. They are used for bump testing of hand- held gas detectors.

#### Materials of construction

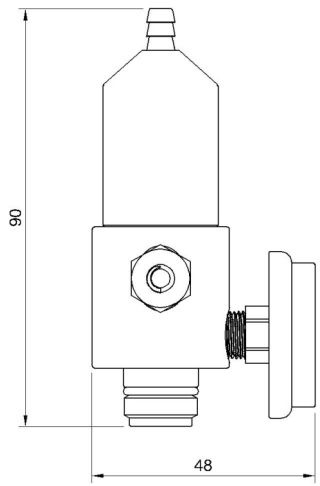
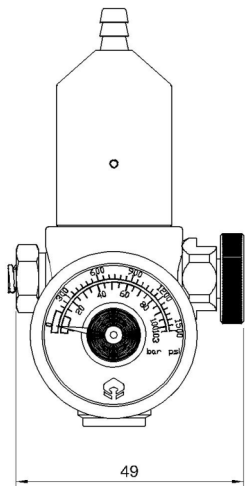
Body	Stainless Steel
CAP	Brass Nickel Plated
Piston	Brass
Button	Brass Nickel Plated
Seats and Seals	Viton, HNT
Flow	Fixed as per customers requirement - 0.1 to 8.0 L/Mn

Model	Maximum Inlet Pressure	For Reactive gases and/or non-reactive gases	Inlet Connection	Outlet Connection	Outlet Pressure	Gauge	Weight Kg
302	0 to 1200 Psig / 83 bar	Brass NP- For Non-Reactive Gases	5/8" X 18 UN - C10	3/16" Barb	60 psig- 4.1bar	Brass N.P. 0 to 1500 psig 103 bar	0.326 Kg

**Warranty:-** All regulators are warranted for 12 months.



## MODEL 303 PUSH TYPE REGULATOR-C10-SS



The Push Type Regulator allows the end user to manually draw gas at a constant flow, at a specific time from the cylinder with negligible flow loss. They are used for bump testing of hand-held gas detectors.

### Materials of construction

Body	Stainless Steel
CAP	Stainless Steel
Piston	Stainless Steel
Button	Brass Nickel Plated
Seats and Seals	Viton
Flow	Fixed as per customers requirement - 0.1 to 8.0 L/Mn

Model	Maximum Inlet Pressure	For Reactive gases and/or non-reactive gases	Inlet Connection	Outlet Connection	Outlet Pressure	Gauge	Weight Kg
303	0 to 1200 Psig / 83 bar	Stainless Steel For Reactive Gases	5/8"x18UN C10	3/16" Barb	60 psig- 4.1bar	Stainless Steel 0 to 1500 psig 103 bar	0.326 Kg

**Warranty:-** All regulators are warranted for 12 months.



# Series 400

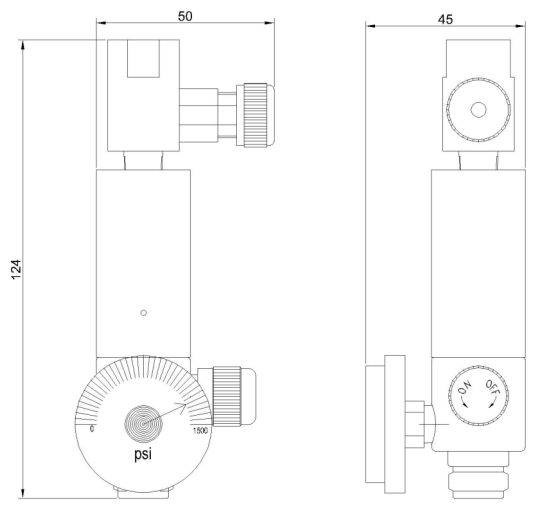


**GOVIND**  
INDUSTRIES  
Precision Delivered



## MODEL 401

### SEPTUM REGULATOR-C10-BRASS NP



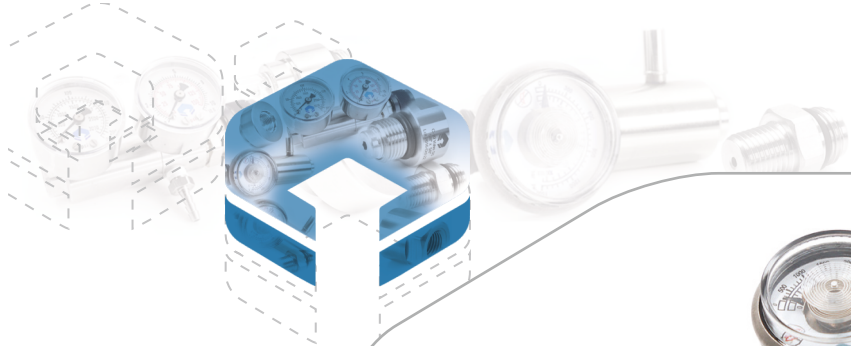
The Septum Regulator is a special regulator intended for laboratory gas applications in which a syringe is used for extracting the gas sample.

#### Materials of construction

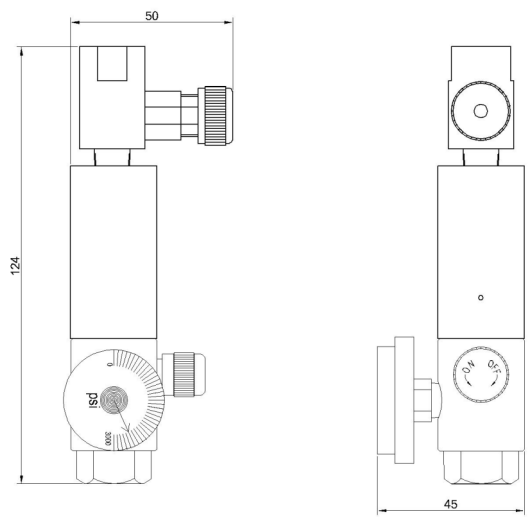
Body	Stainless Steel
CAP	Brass Nickel Plated
Piston	Brass
Button	Buna-N
Seats and Seals	Viton, Buna-N, Teflon

Model	Maximum Inlet Pressure	For Reactive gases and/or non-reactive gases	Inlet Connection	Outlet Connection	Outlet Pressure	Gauge	Weight Kg
401	0 to 1200 Psig / 83 bar	Brass NP- For Non-Reactive Gases	5/8"x18UN C10	Septum	60 psig- 4.1bar	Brass 0 to 1500 psig 103 bar	0.380Kg

**Warranty:-** All regulators are warranted for 12 months.



## MODEL 402 HP SEPTUM REGULATOR BRASS NP

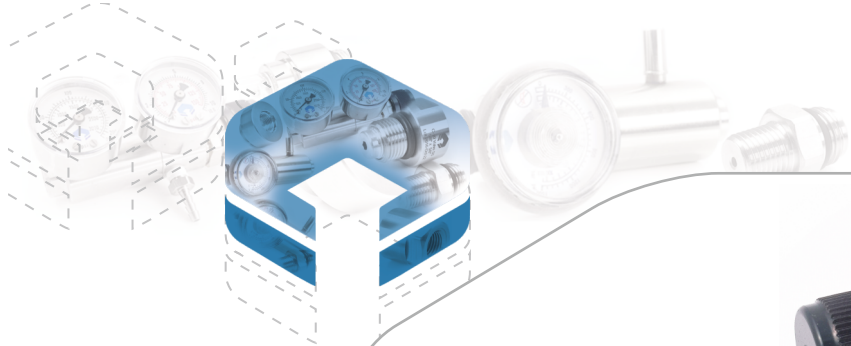


The HP Septum Regulator is a special regulator intended for laboratory gas applications in which a syringe is used for extracting the gas sample.

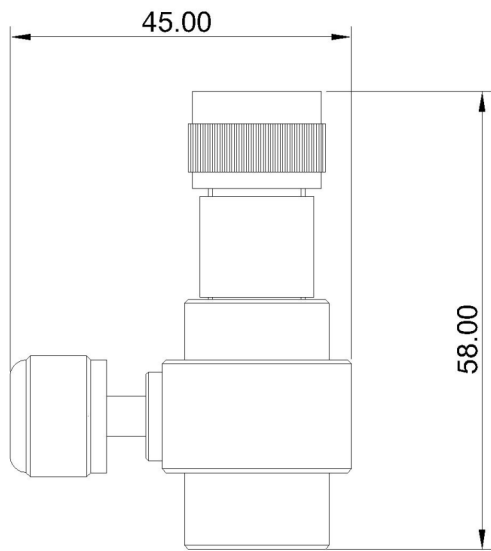
### Materials of construction

Body	Stainless Steel						
CAP	Brass Nickel Plated						
Piston	Brass						
Button	Buna-N						
Seats and Seals	Viton, Buna-N, Teflon						
Model	Maximum Inlet Pressure	For Reactive gases and/or non-reactive gases	Inlet Connection	Outlet Connection	Outlet Pressure	Gauge	Weight Kg
402	0 to 3000 Psig / 200 bar	Brass NP- For Non-Reactive Gases	1/4" NPTF	Septum	60 psig- 4.1bar	SS 0 to 3180psig 220 bar	0.404 Kg

**Warranty:-** All regulators are warranted for 12 months.



**MODEL 403**  
**SEPTUM VALVE WITH AEROSOL BRASS NP**



The Septum Valve With Aerosol is a special regulator intended for low pressure laboratory gas applications in which a syringe is used for extracting the gas sample.

**Materials of construction**

Body	Brass N.P.
Septum	Buna-N
Seats and Seals	Viton, Buna-N

Model	Maximum Inlet Pressure	For Reactive gases and/or non-reactive gases	Inlet Connection	Outlet Connection	Weight Kg
403	0 to 300 Psig / 20 bar	Brass NP- For Non-Reactive Gases	Aerosol	Septum	0.089 Kg

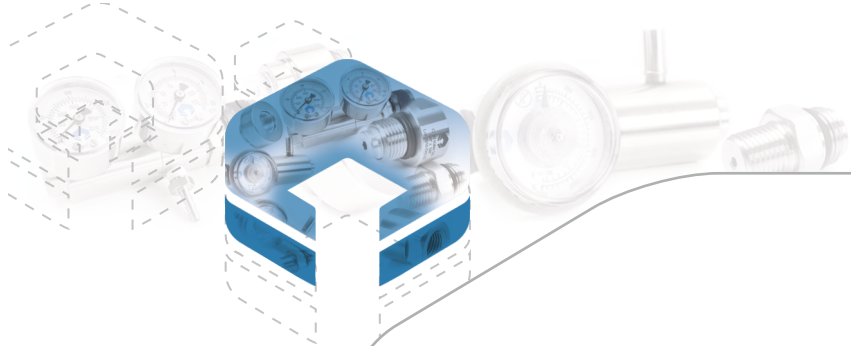
**Warranty:-** All septum valve are warranted for 12 months.



# Series 500

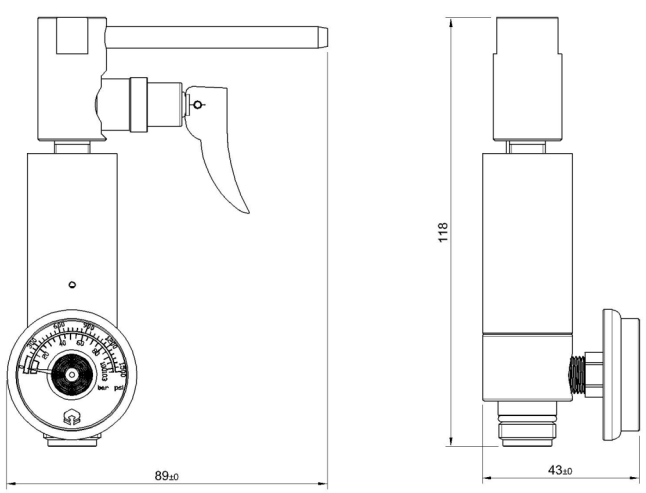


**GOVIND**  
INDUSTRIES  
Precision Delivered



## MODEL 500

### TRIGGER REGULATOR-C10-BRASS NP



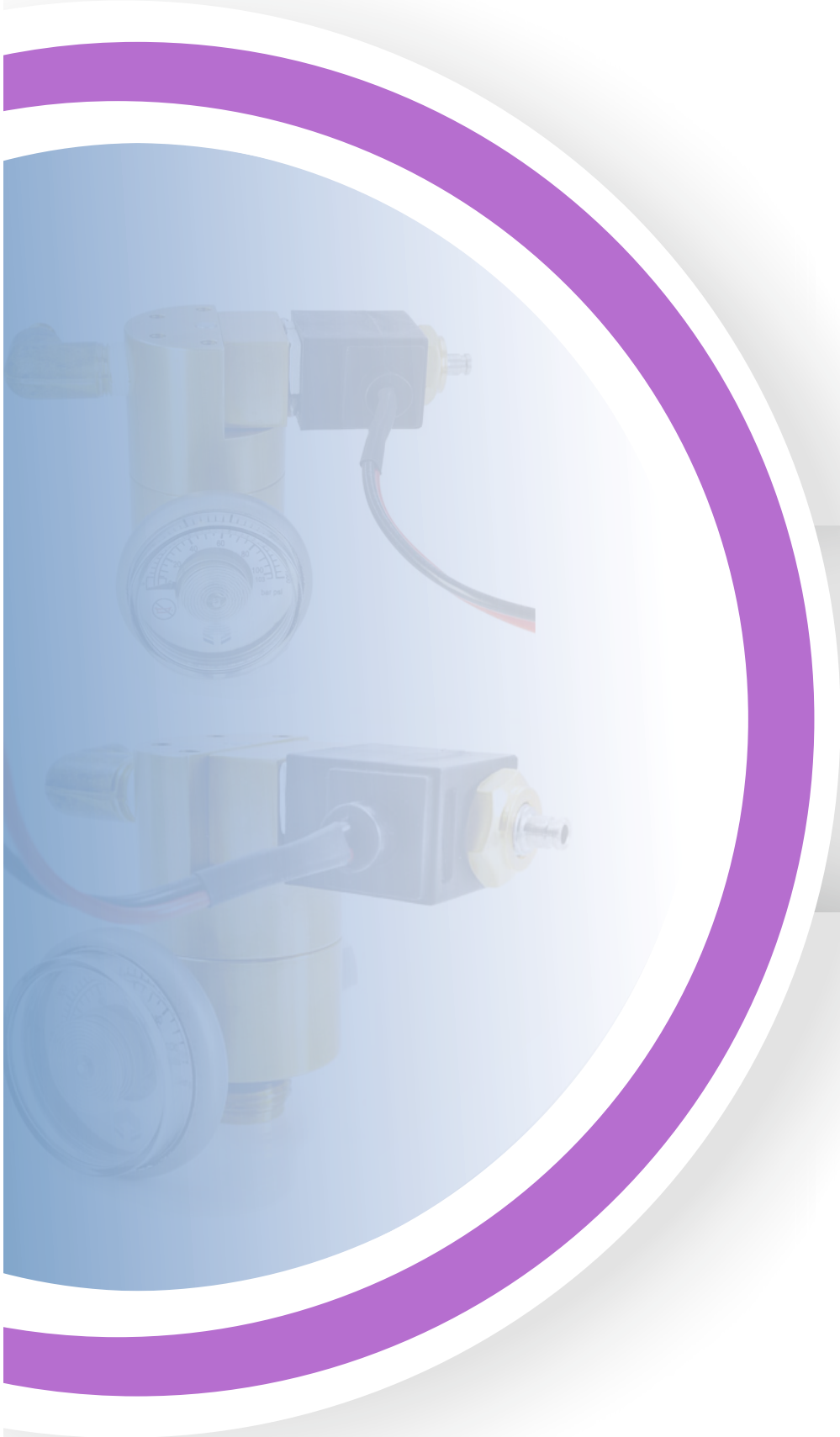
The Trigger Regulator is used for calibration gases and handheld gas detectors where the regulator will dispense gas once the trigger is pressed.

#### Materials of construction

Body	Brass Nickel Plated
CAP	Brass Nickel Plated
Piston	Brass
Trigger	Stainless Steel
Seats and Seals	Viton, Buna-N, Teflon
Flow	Fixed as per customers requirement - 0.1 to 8.0 L/Mn

Model	Maximum Inlet Pressure	For Reactive gases and/or non-reactive gases	Inlet Connection	Outlet Connection	Outlet Pressure	Gauge	Weight Kg
500	0 to 1200 Psig / 83 bar	Brass NP- For Non-Reactive Gases	5/8"x18UN C10	6 MM Straight Tube	60 psig- 4.1bar	Brass 0 to 1500 psig 103 bar	0,400 Kg

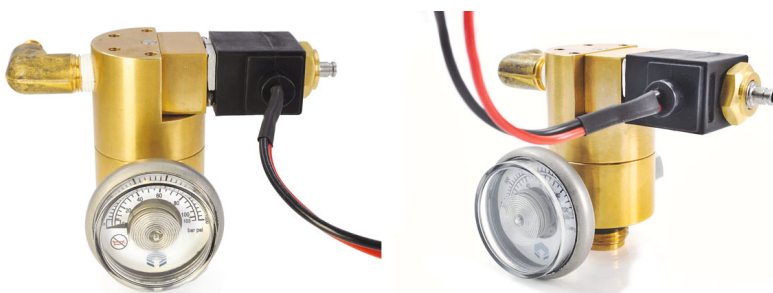
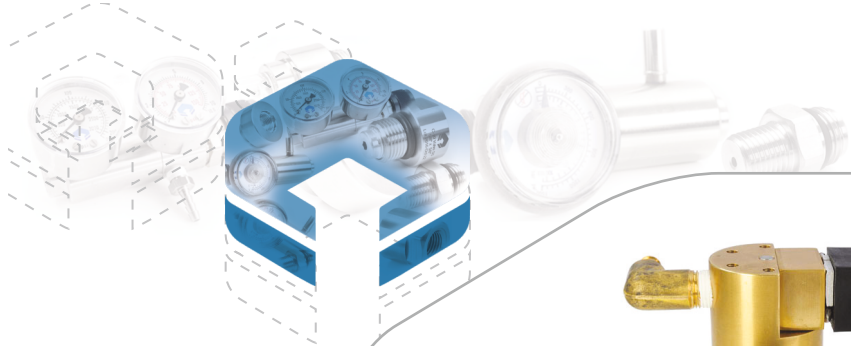
**Warranty:-** All regulators are warranted for 12 months.



# Series 600

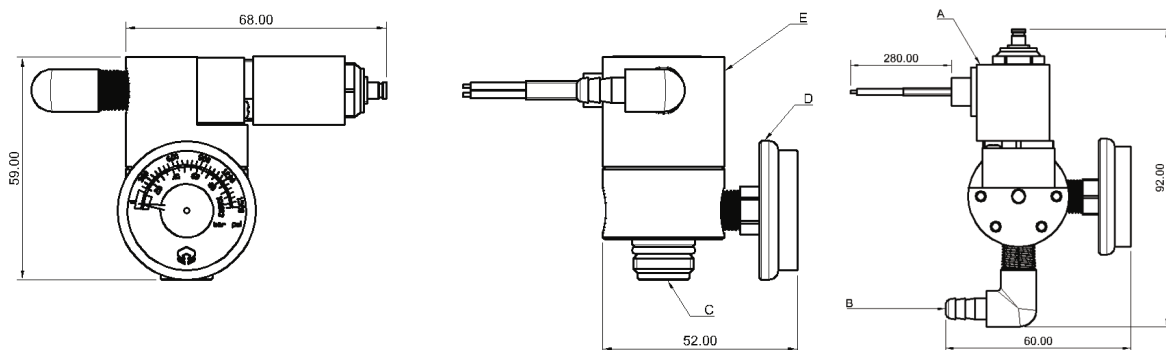


**GOVIND**  
INDUSTRIES  
Precision Delivered



## MODEL 600

### SOLENOID REGULATOR C10 BRASS



The solenoid regulators are solenoid operated and used with dry gas compact machines.

#### Materials of construction

Body	Brass Nickel Plated
CAP	Brass Nickel Plated
Piston	Brass
Barb Hose	Stainless Steel
Seats and Seals	Viton, Buna-N, Teflon
Solenoid coil	12VDC
Flow	Fixed as per customers requirement - 0.1 to 10.0 L/Mn

Model	Maximum Inlet Pressure	For Reactive gases and/or non-reactive gases	Inlet Connection	Outlet Connection	Outlet Pressure	Gauge	Weight Kg
600	0 to 1200 Psig	Brass NP- For Non-Reactive Gases	C10 5/8"x18UN	3/16" Hose Barb	50 psig	Brass 0 to 1500 psig 103 bar	0.376 Kg

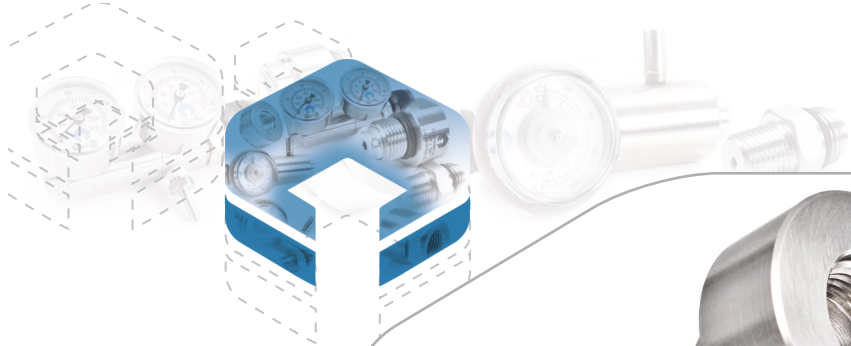
**Warranty:-** All regulators are warranted for 12 months.



# Series 700

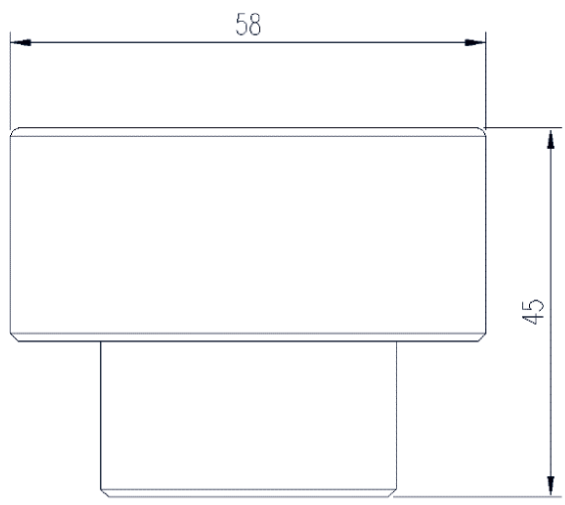


**GOVIND**  
INDUSTRIES  
Precision Delivered



## MODEL 701

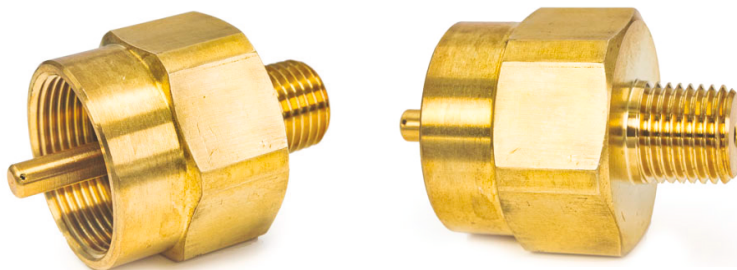
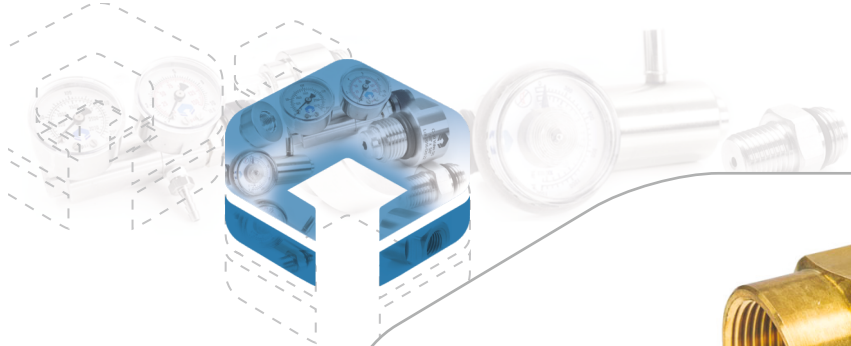
ADAPTOR AEROSOL - C10 F - SS



### Materials of construction

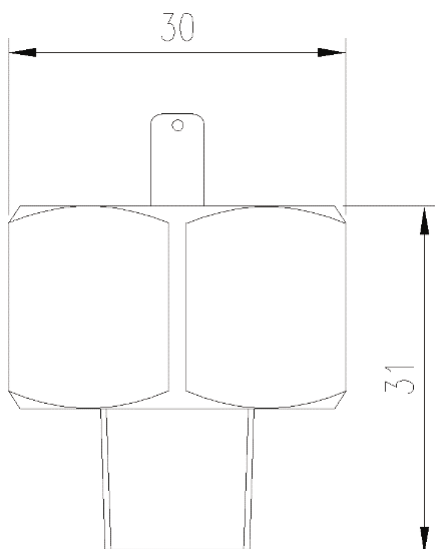
Body	Stainless Steel
Seal	Buna-N
Inlet Connection	Aerosol
Outlet Connection	C10 Female
WP	20 Bar

**Warranty:-** All adaptors are warranted for 12 months.



## MODEL 702

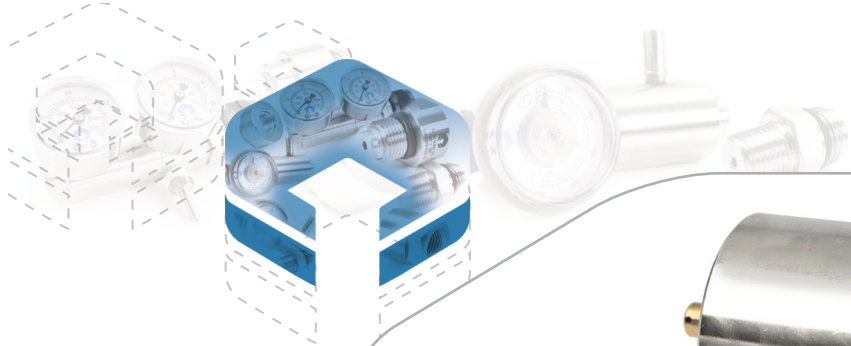
ADAPTOR 1/4"NPTM - CGA600F - BRASS



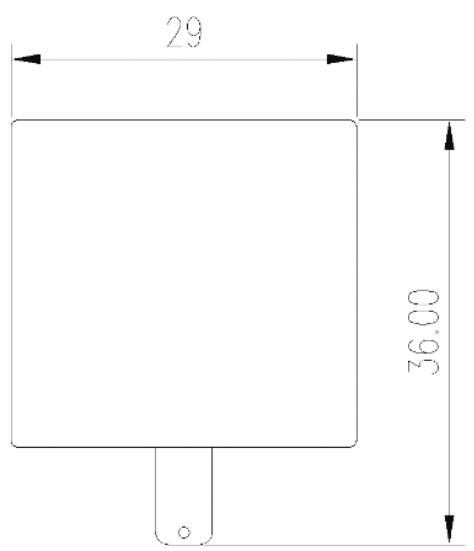
### Materials of construction

Body	Brass
CGA 600 Pin	Brass
Seats and Seals	Buna-N
Inlet Connection	1/4" NPT Male
Outlet Connection	CGA-600(1" x 20UNEF)
WP	600 PSI

**Warranty:-** All adaptors are warranted for 12 months



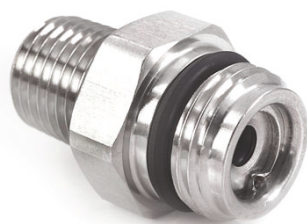
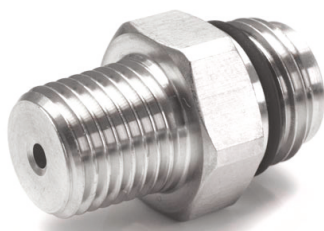
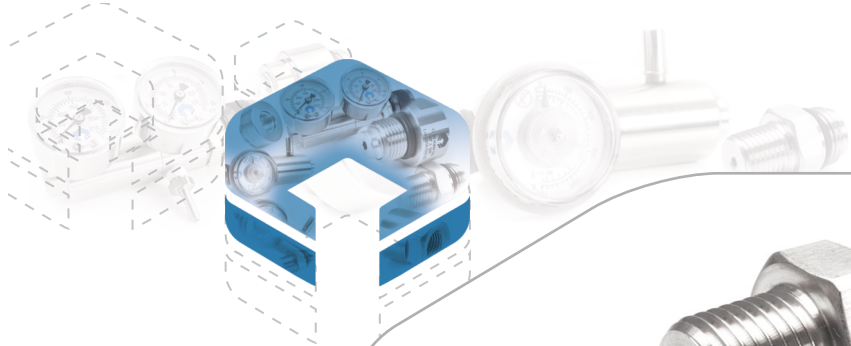
**MODEL 703**  
 ADAPTOR CGA600F - C10F BRASS N.P.



**Materials of construction**

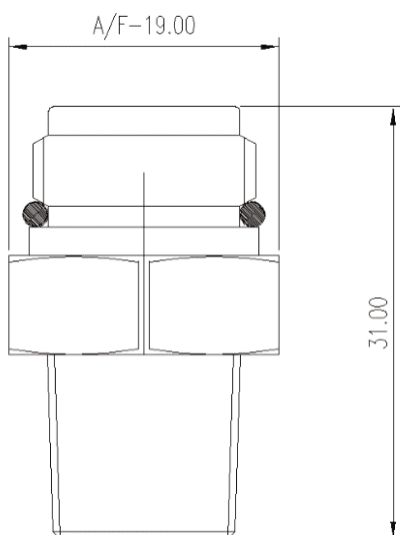
Body	Brass N.P.
CGA 600 Pin	Brass
Seats and Seals	Buna-N
Inlet Connection	CGA 600
Outlet Connection	C10 Female
WP	600 PSI

**Warranty:-** All adaptors are warranted for 12 months.



## MODEL 704

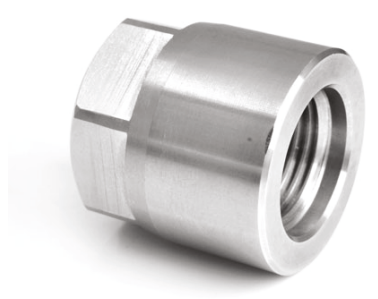
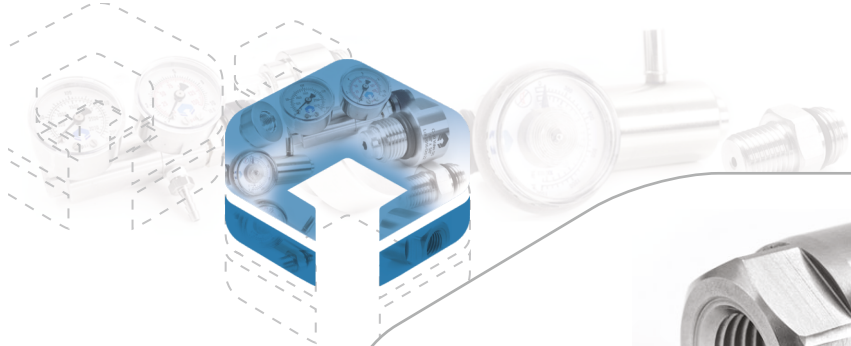
FILLING ADAPTOR ¼" NPT M - C10 M-SS



### Materials of construction

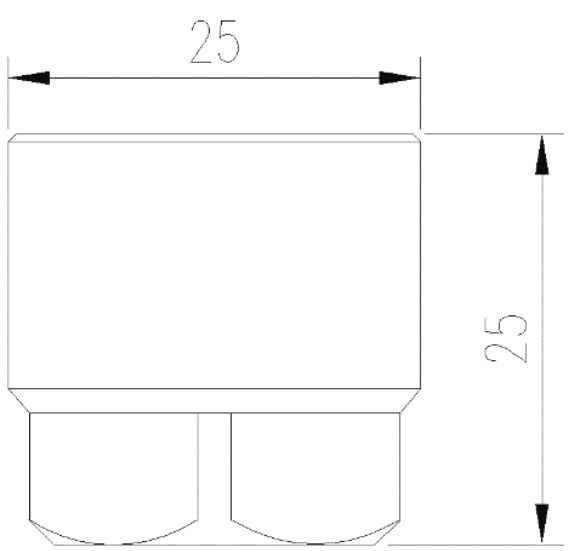
Body	Stainless Steel
Washer	Stainless Steel
Seals	Viton
Inlet Connection	¼" NPT Male
Outlet Connection	C10 Male
WP	1200 PSI

**Warranty:-** All adaptors are warranted for 12 months.



**MODEL 705**

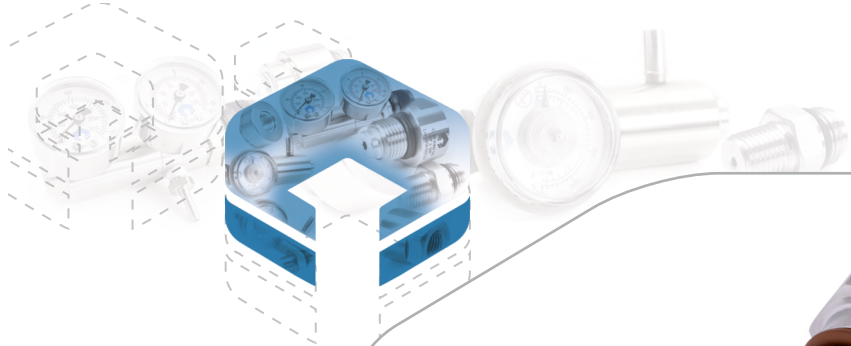
FILLING ADAPTOR 1/4" NPT F - C10 F-SS



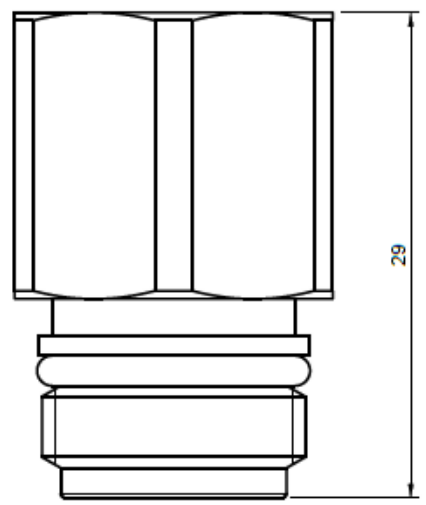
**Materials of construction**

Body	Stainless Steel
Inlet Connection	1/4" NPT Female
Outlet Connection	C10 Female
WP	1200 PSI

**Warranty:-** All adaptors are warranted for 12 months.



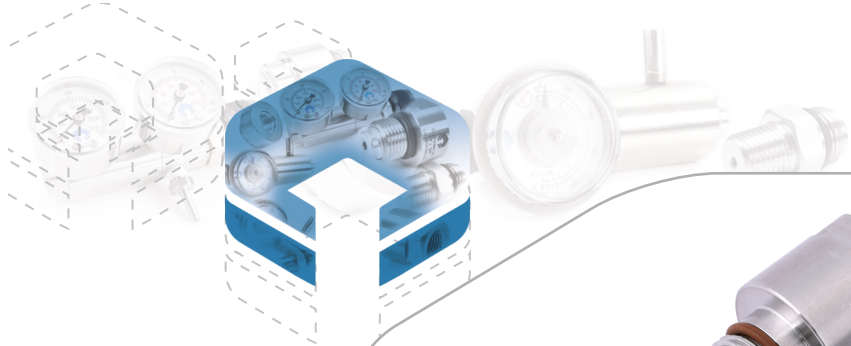
**MODEL 706**  
 ADAPTOR 1/4" NPT F – C10 M



**Materials of construction**

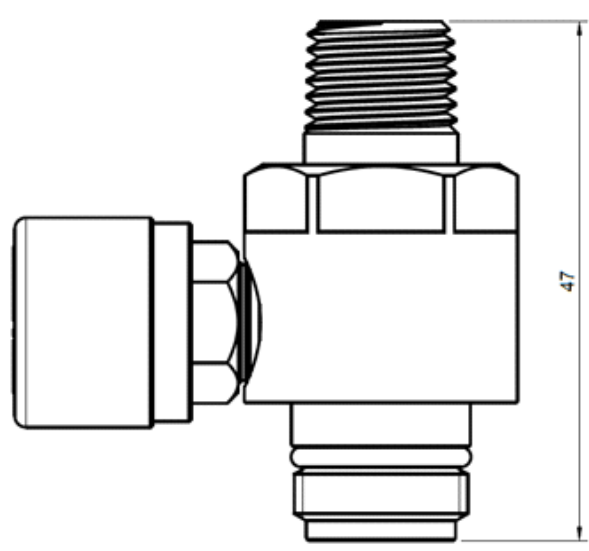
Body	Stainless Steel
Seats and Seals	Viton
Inlet Connection	¼" NPT Female
Outlet Connection	C10 Male
WP	1200 PSI

**Warranty:-** All adaptors are warranted for 12 months.



## MODEL 707

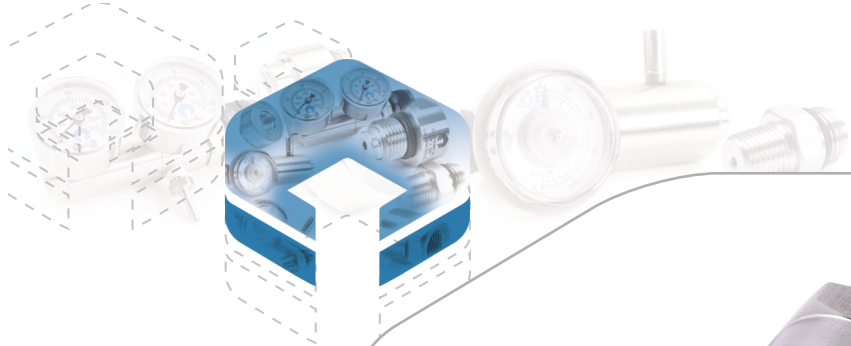
ADAPTOR C10 M – 1/4" NPT M – ON/OFF – SS



### Materials of construction

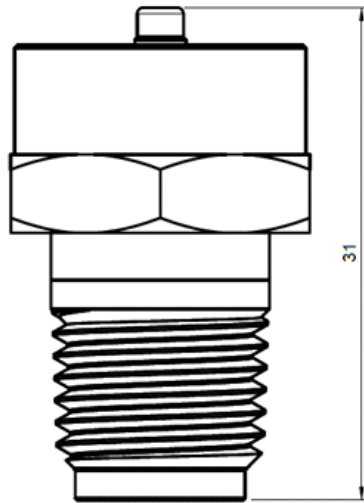
Body	Stainless Steel
Knob	Aluminum Black Anodized
Seats and Seals	Viton
Inlet Connection	1/4" NPT Male
Outlet Connection	C10 Male
WP	1200 PSI

**Warranty:-** All adaptors are warranted for 12 months.



## MODEL 708

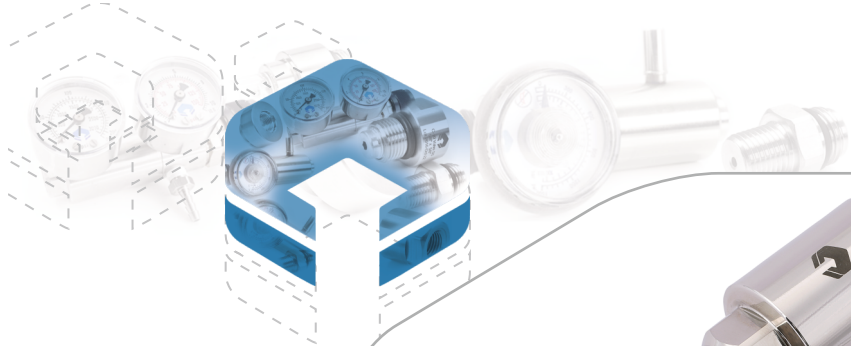
ADAPTOR AEROSOL F - 1/4" NPT M WITH VALVE - SS



### Materials of construction

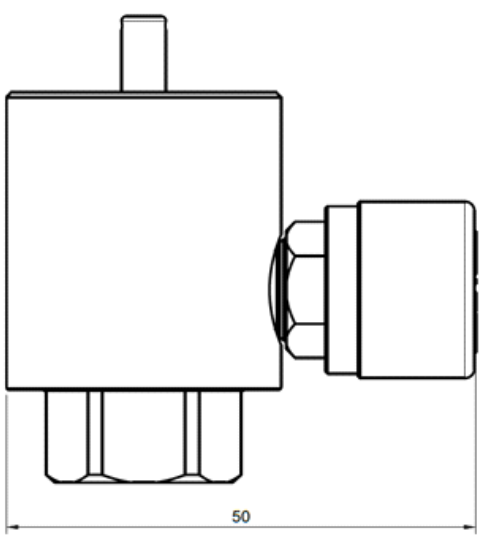
Body	Stainless Steel
Seats and Seals	HNT
Inlet Connection	1/4" NPT Male
Outlet Connection	Aerosol Female
WP	150 PSI

**Warranty:-** All adaptors are warranted for 12 months.



## MODEL 709

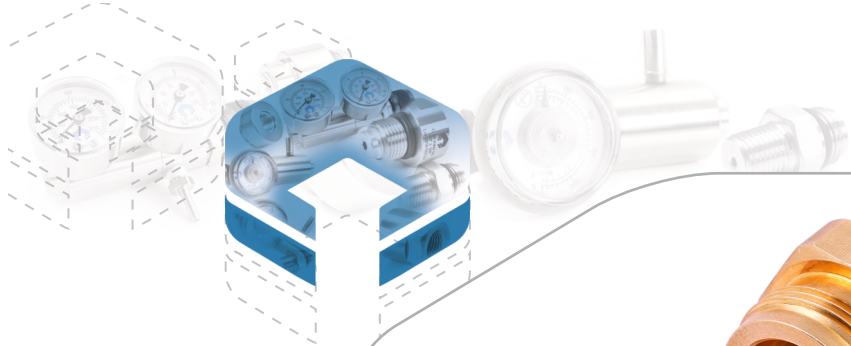
ADAPTOR CGA600 F – 1/4" NPT F – ON/OFF – BNP



### Materials of construction

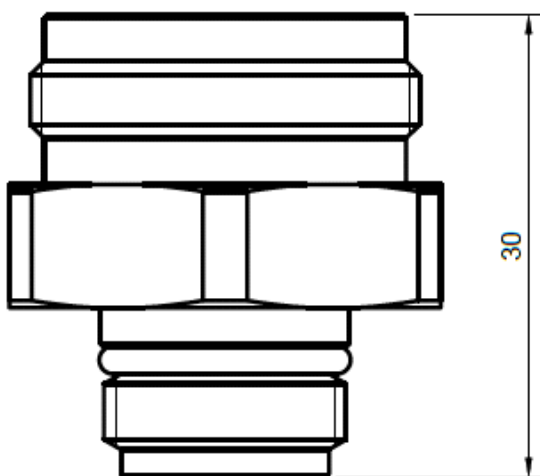
Body	Brass Nickel Plated
Inlet Connection	1/4" NPT Female
Outlet Connection	CGA 600 Female
WP	600 PSI

**Warranty:-** All adaptors are warranted for 12 months.



## MODEL 710

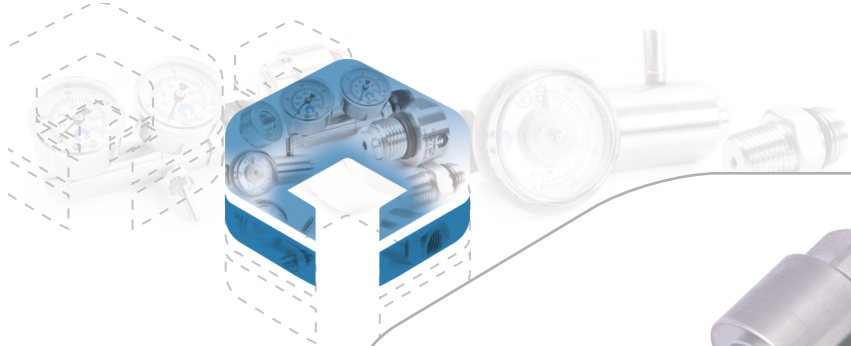
ADAPTOR C10 M – CGA 600 M – BRASS



### Materials of construction

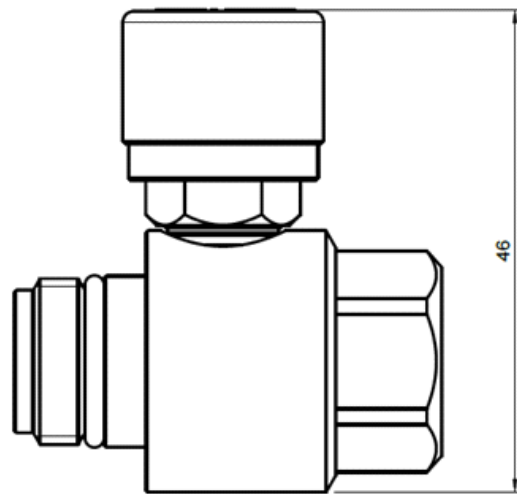
Body	Brass
Seats and Seals	HNT
Inlet Connection	C10 Male
Outlet Connection	CGA 600 Male
WP	600 PSI

**Warranty:-** All adaptors are warranted for 12 months.



## MODEL 711

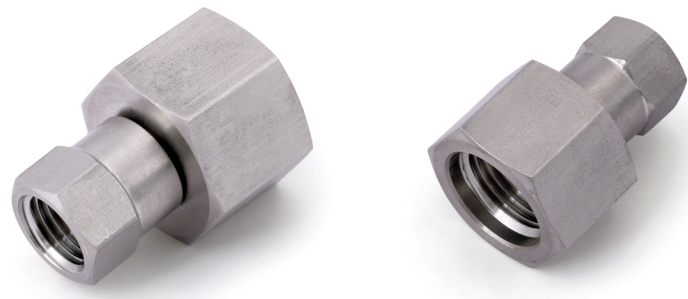
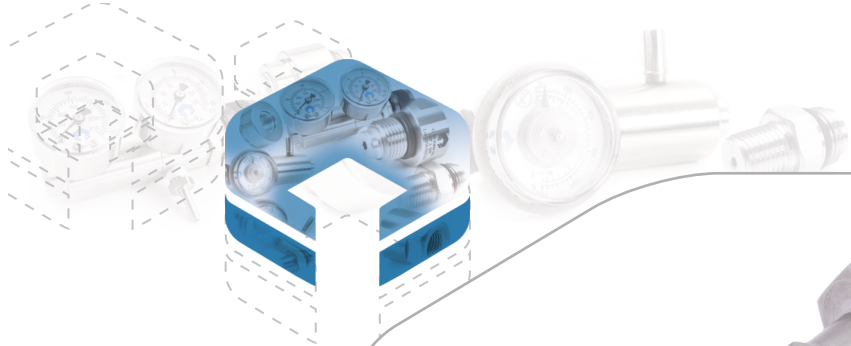
ADAPTOR C10 M – 1/4" NPT F – ON/OFF – SS



### Materials of construction

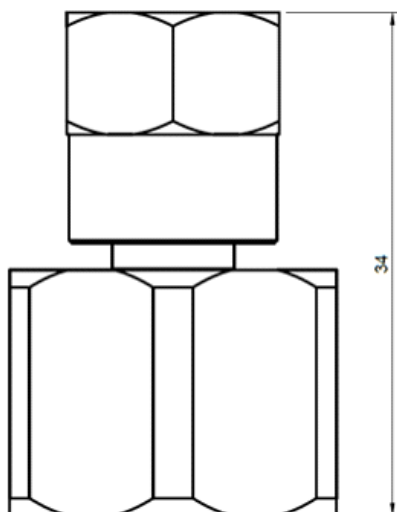
Body	Stainless Steel
Knob	Aluminum Black Anodized
Seats and Seals	Viton
Inlet Connection	C10 Male
Outlet Connection	1/4" NPT Male
WP	1200 PSI

**Warranty:-** All adaptors are warranted for 12 months.



## MODEL 712

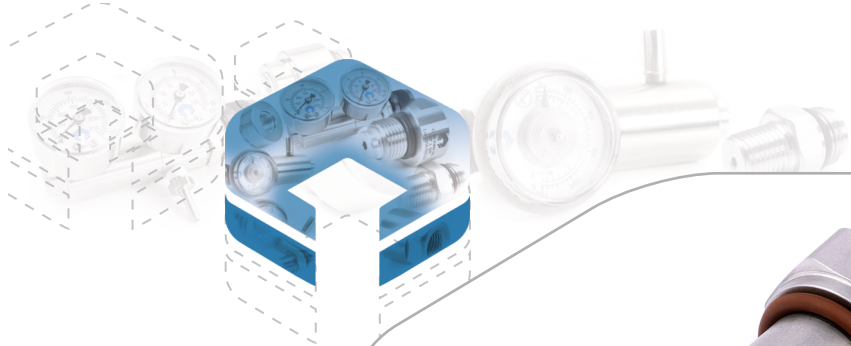
ADAPTOR C10 F – CGA 165 F – SS



### Materials of construction

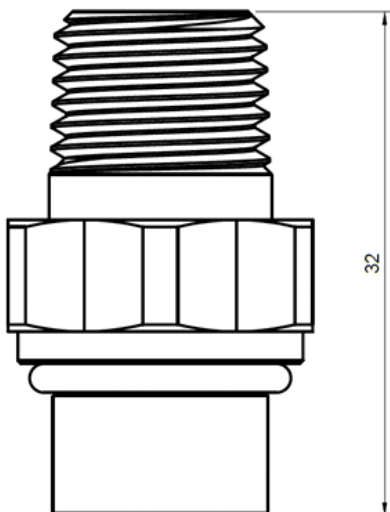
Body	Stainless Steel
Inlet Connection	C10 Female
Outlet Connection	CGA 165 Female
WP	1200 PSI

**Warranty:-** All adaptors are warranted for 12 months.



## MODEL 713

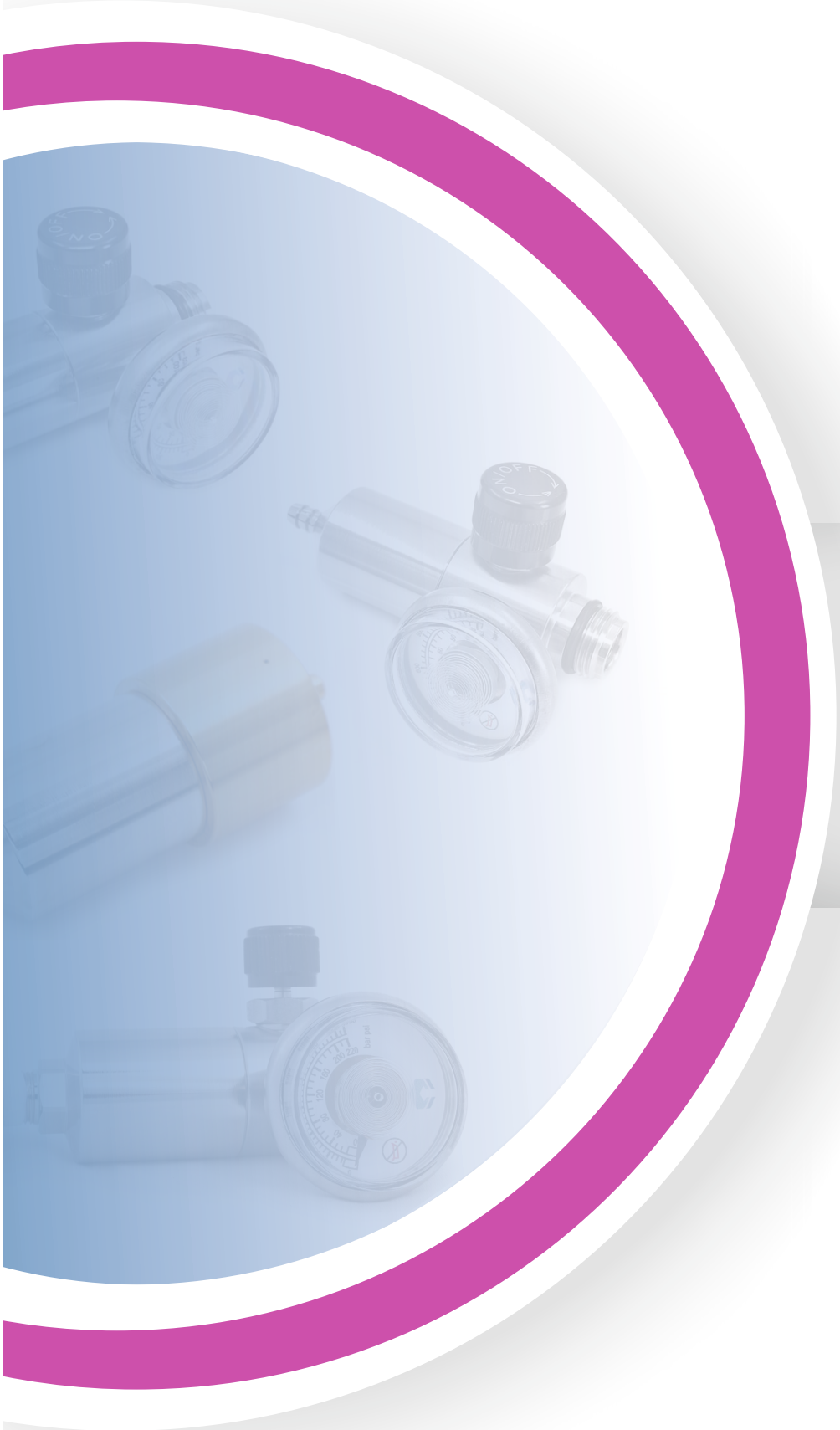
ADAPTOR 1/4" NPT M - C10 M - PRESS TO CHECK - SS



### Materials of construction

Body	Stainless Steel
Inlet Connection	1/4" NPT Male
Outlet Connection	C10 Male
WP	1200 PSI

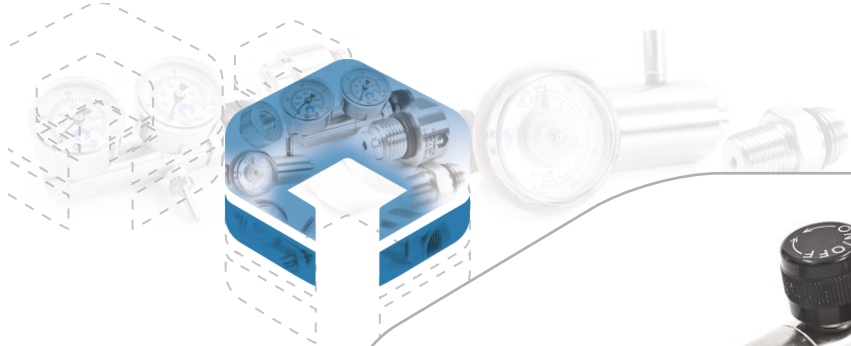
**Warranty:-** All adaptors are warranted for 12 months.



# Series 900

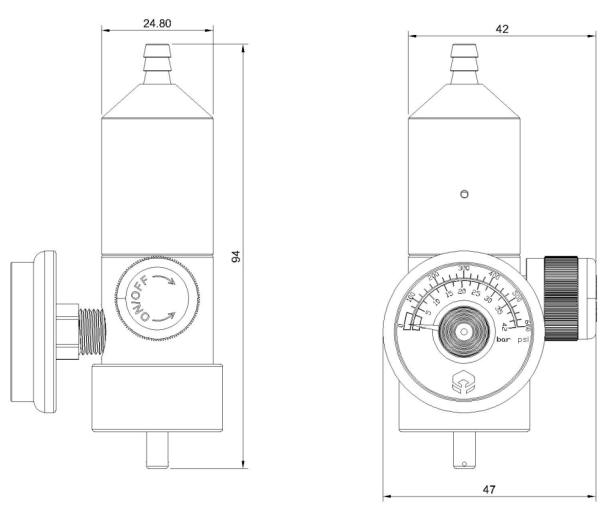


**GOVIND**  
INDUSTRIES  
Precision Delivered



## MODEL 901

### CGA600 FIXED FLOW REGULATOR BRASS NP



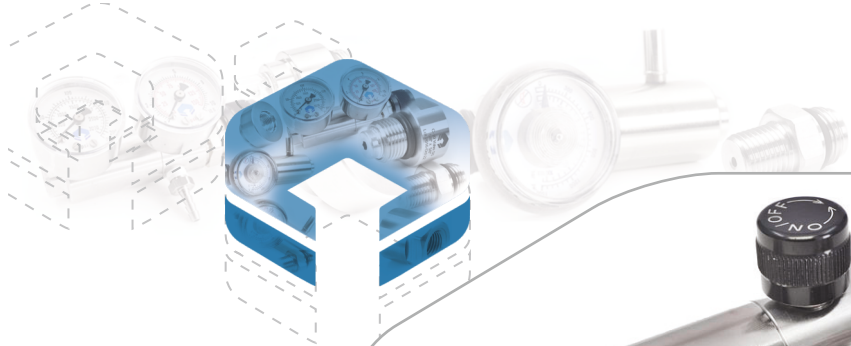
The CGA600 Fixed flow regulator uses a single stage design which allows the end user to obtain a preset constant flow rate. They are used with 17L and 34L cylinders. Used for calibration gases and handheld gas detectors.

#### Materials of construction

Body	Brass Nickel Plated
Cap	Brass Nickel Plated
Piston	Brass
Seats and Seals	Teflon, Viton & Buna-N
Washer	Buna-N
Flow	Fixed as per customers requirement - 0.1 to 8.0 L/Mn

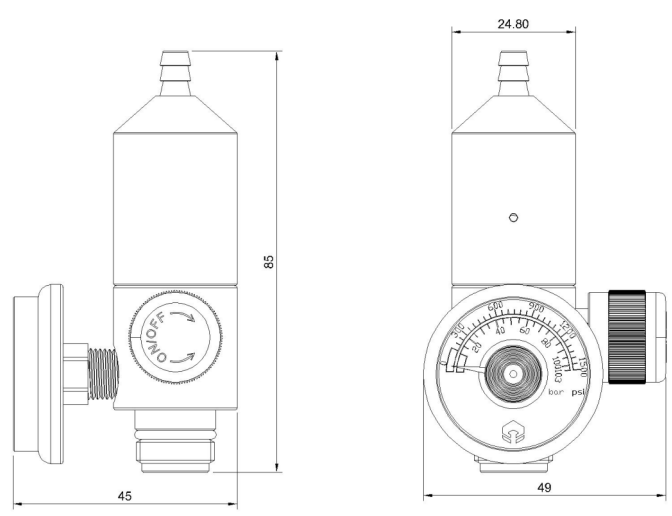
Model	Maximum Inlet Pressure	For Reactive gases and/or non-reactive gases	Inlet Connection	Outlet Connection	Outlet Pressure	Gauge	Weight Kg
901	0 to 600 psig/ 40 bar	Brass NP - For Non-Reactive Gases	1" x20 UNF CGA600	3/16" Barb 4.8mm	30 psig- 2.1bar	Brass 0 to 600psig 40 bar	0.330 Kg

**Warranty:-** All regulators are warranted for 12 months.



## MODEL 902

### FIXED FLOW REGULATOR-C10-BRASS NP



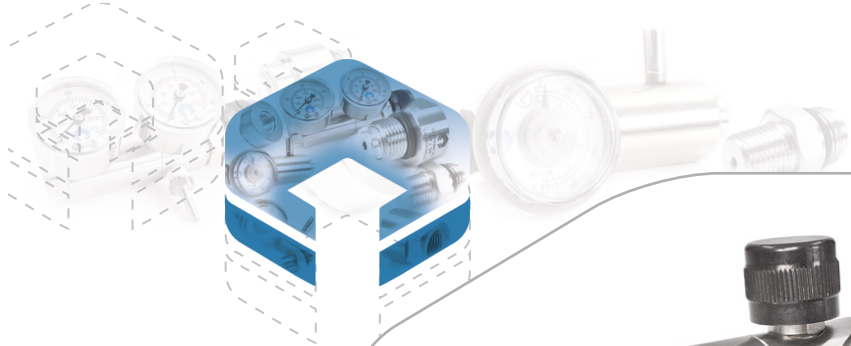
The Fixed flow regulator-C10 uses a single stage design which allows the end user to obtain a preset constant flow rate. They are used with 17L and 34L cylinders. Used for calibration gases and handheld gas detectors.

#### Materials of construction

Body	Stainless Steel
Cap	Brass Nickel Plated
Piston	Brass
Seats and Seals	Teflon, Viton
Flow	Fixed as per customers requirement - 0.1 to 8.0 L/Mn

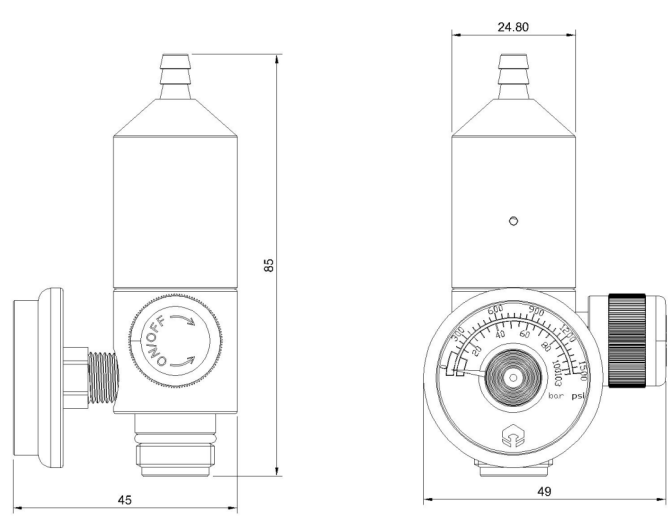
Model	Maximum Inlet Pressure	For Reactive gases and/or non-reactive gases	Inlet Connection	Outlet Connection	Outlet Pressure	Gauge	Weight Kg
902	0 to 1200 Psig / 83 bar	Brass NP- for Non-Reactive Gases	5/8"x18UN C10	3/16" Barb 4.8mm	60 psig- 4.1bar	Brass 0 to 150psig 103 bar	0.300 Kg

**Warranty:-** All regulators are warranted for 12 months.



## MODEL 903

### FIXED FLOW REGULATOR-C10-STAINLESS STEEL



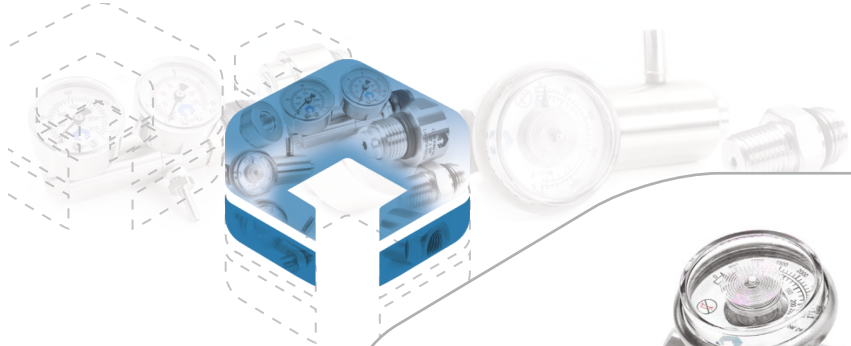
The Fixed flow regulator-C10 uses a single stage design which allows the end user to obtain a preset constant flow rate. They are used with 17L and 34L cylinders. Used for calibration gases and handheld gas detectors.

#### Materials of construction

Body	Stainless Steel
Cap	Stainless Steel
Piston	Stainless Steel
Seats and Seals	Teflon, Viton
Flow	Fixed as per customers requirement - 0.1 to 8.0 L/Mn

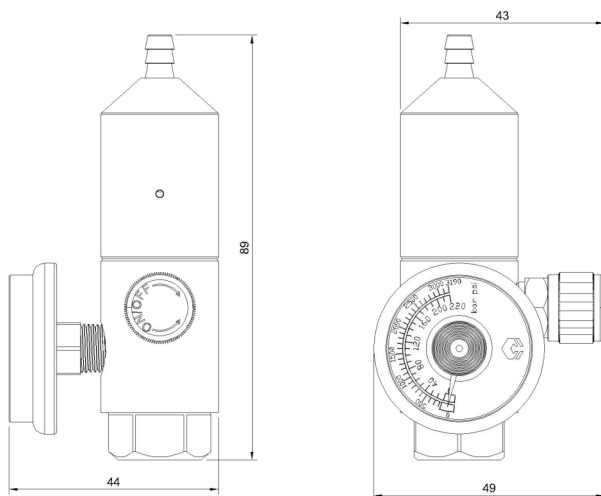
Model	Maximum Inlet Pressure	For Reactive gases and/or non-reactive gases	Inlet Connection	Outlet Connection	Outlet Pressure	Gauge	Weight Kg
903	0 to 1200 Psig / 83 bar	Stainless Steel for Reactive Gases	5/8"x18UN C10	3/16" Barb 4.8mm	60 psig- 4.1bar	Stainless Steel 0 to 1500psig 103 bar	0.280 Kg

**Warranty:-** All regulators are warranted for 12 months.



## MODEL 904

### HP FIXED FLOW REGULATOR- BRASS NP



The High Pressure Fixed flow regulator uses a single stage design which allows the end user to obtain a preset constant flow rate. They can be connected with any CGA/DIN/BS cylinder connections. Used for calibration gases and handheld gas.

#### Materials of construction

Body	Stainless Steel
Cap	Brass Nickel Plated
Piston	Brass
Seats and Seals	Teflon, Viton
Flow	Fixed as per customers requirement - 0.1 to 8.0 L/Mn

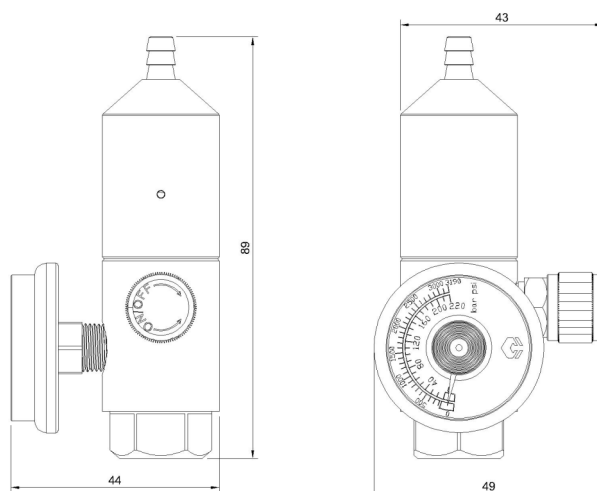
Model	Maximum Inlet Pressure	For Reactive gases and/or non-reactive gases	Inlet Connection	Outlet Connection	Outlet Pressure	Gauge	Weight Kg
904	0 to 3000 psig/ 207 bar	Brass NP- For Non-Reactive Gases	1/4" NPT Female	3/16" Barb 4.8mm	60 psig- 4.1bar	Stainless Steel 0 to 3180 psig 220 bar	0.350 Kg

**Warranty:-** All regulators are warranted for 12 months.



## MODEL 905

### HP FIXED FLOW REGULATORS STAINLESS STEEL



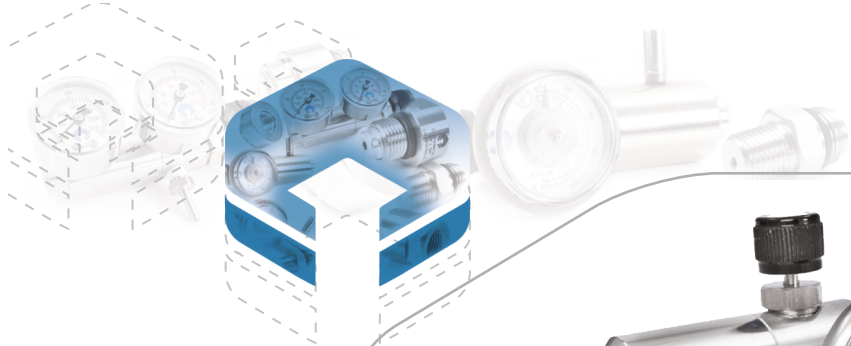
The High Pressure Fixed flow regulator uses a single stage design which allows the end user to obtain a preset constant flow rate. They can be connected with any CGA/DIN/BS cylinder connections. Used for calibration gases and handheld gas

#### Materials of construction

Body	Stainless Steel
Cap	Stainless Steel
Piston	Stainless Steel
Seats and Seals	Teflon, Viton
Flow	Fixed as per customers requirement - 0.1 to 8.0 L/Mn

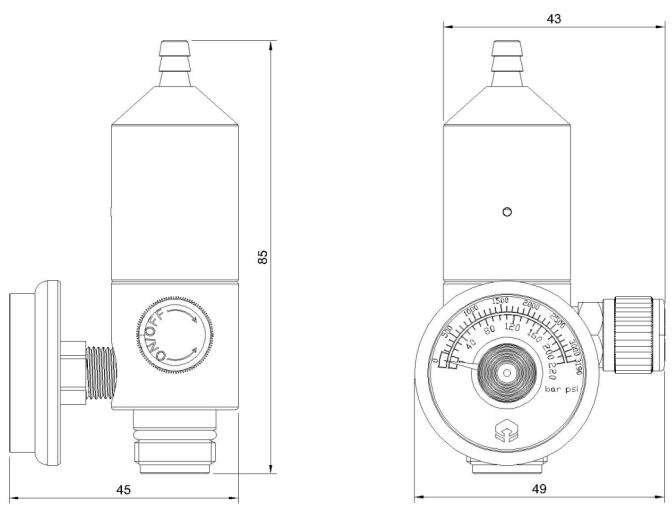
Model	Maximum Inlet Pressure	For Reactive gases and/or non-reactive gases	Inlet Connection	Outlet Connection	Outlet Pressure	Gauge	Weight Kg
905	0 to 3000 psig/ 207 bar	Stainless Steel for Reactive Gases	¼" NPT Female	3/16" Barb 4.8mm	60 psig- 4.1bar	Stainless Steel 0 to 3180 psig 220 bar	0.350 Kg

**Warranty:-** All regulator are warranted for 12 months.



## MODEL 906

### FIXED FLOW REGULATOR-C10-BRASS NP-120 BAR



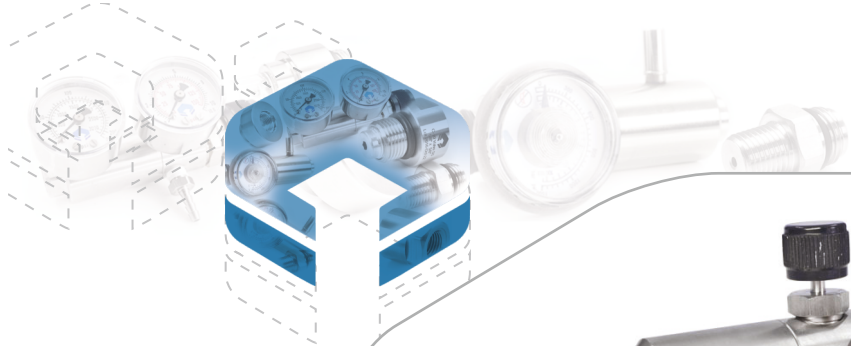
The Fixed flow regulator-C10 uses a single stage design which allows the end user to obtain a preset constant flow rate. Used for calibration gases and handheld gas detectors.

#### Materials of construction

Body	Stainless Steel
Cap	Brass Nickel Plated
Piston	Brass
Seats and Seals	Teflon, Viton
Flow	Fixed as per customers requirement - 0.1 to 8.0 L/Mn

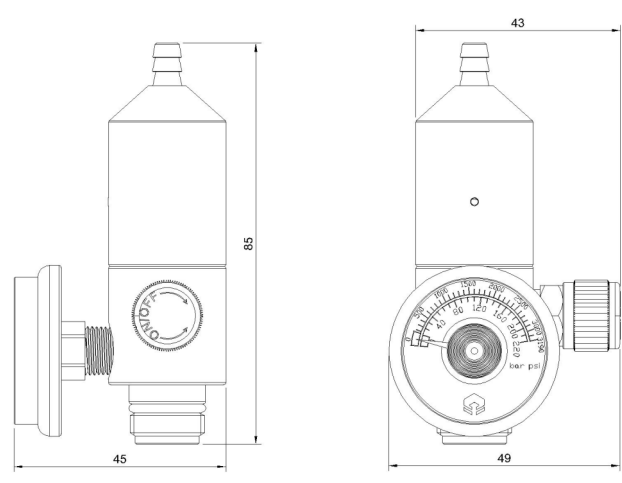
Model	Maximum Inlet Pressure	For Reactive gases and/or non-reactive gases	Inlet Connection	Outlet Connection	Outlet Pressure	Gauge	Weight Kg
906	0 to 1740 Psig/ 120 bar	Brass NP- For Non- Reactive Gases	5/8" x 18UN C10	3/16" Bard 4.8mm	60 psig- 4.1 bar	Stainless Steel 0 to 3000 psig 220 bar	0.300 kg

**Warranty:-** All regulator are warranted for 12 months.



## MODEL 907

### FIXED FLOW REGULATOR-C10-STAINLESS STEEL-120 BAR



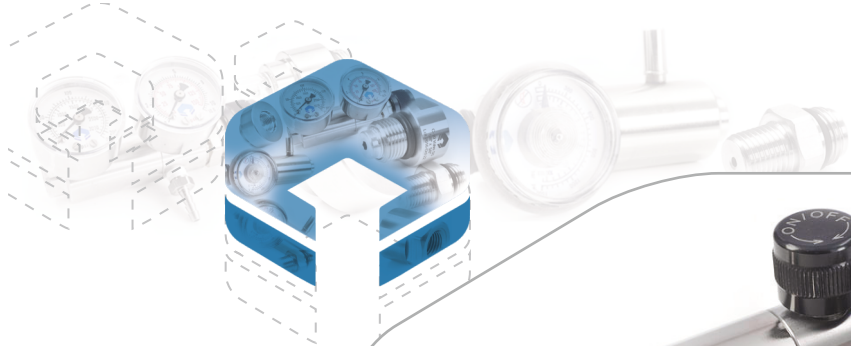
The Fixed flow regulator-C10 uses a single stage design which allows the end user to obtain a preset constant flow rate. Used for calibration gases and handheld gas detectors.

#### Materials of construction

Body	Stainless Steel
Cap	Stainless Steel
Piston	Stainless Steel
Seats and Seals	Teflon, Viton
Flow	Fixed as per customers requirement - 0.1 to 8.0 L/Mn

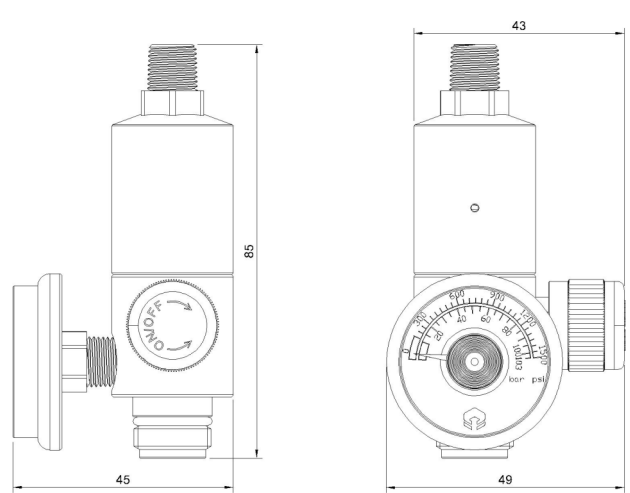
Model	Maximum Inlet Pressure	For Reactive gases and/or non-reactive gases	Inlet Connection	Outlet Connection	Outlet Pressure	Gauge	Weight Kg
907	0 to 1740 Psig / 120 bar	Stainless Steel for Reactive Gases	5/8"x18UN C10	3/16" Barb 4.8mm	60 psig- 4.1bar	Stainless Steel 0 To 3000 Psig 220 Bar	0.280 Kg

**Warranty:-** All regulators are warranted for 12 months.



## MODEL 908

### FIXED FLOW REGULATOR-C10-1/8" NPT-M-BRASS NP



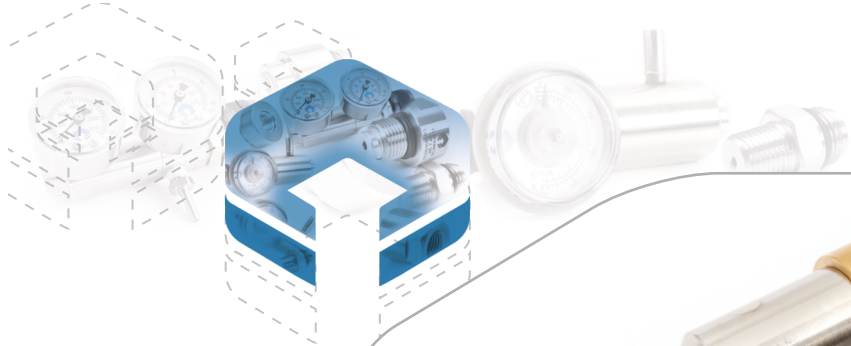
The Fixed flow regulator-C10-1/8" NPT-M uses a single stage design which allows the end user to obtain a preset constant flow rate. Used for calibration gases and handheld gas detectors

#### Materials of construction

Body	Stainless Steel
Cap	Brass NP
Piston	Brass
Seats and Seals	Teflon, Viton
Flow	Fixed as per customers requirement - 0.1 to 8.0 L/Mn

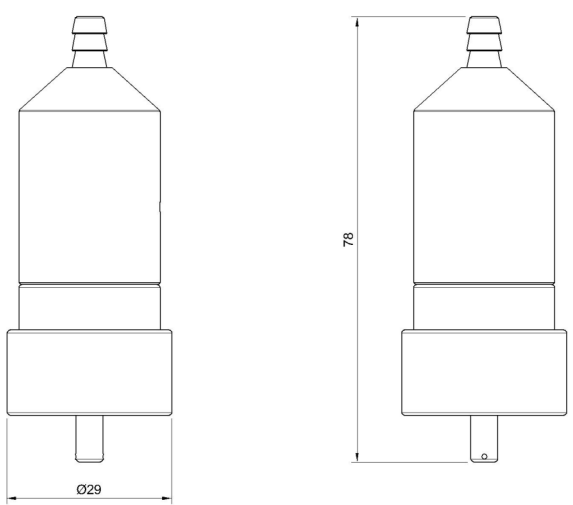
Model	Maximum Inlet Pressure	For Reactive gases and/or non-reactive gases	Inlet Connection	Outlet Connection	Outlet Pressure	Gauge	Weight Kg
908	0 to 1200 psig/ 83 bar	Brass NP- For Non- Reactive Gases	5/8"x18UN C10	1/8" NPT MALE	60 psig- 4.1bar	Brass 0 to 1200 psig 103 bar	0.300 Kg

**Warranty:-** All regulators are warranted for 12 months.



## MODEL 909

### MINI FIXED FLOW REGULATOR-CGA600-BRASS NP



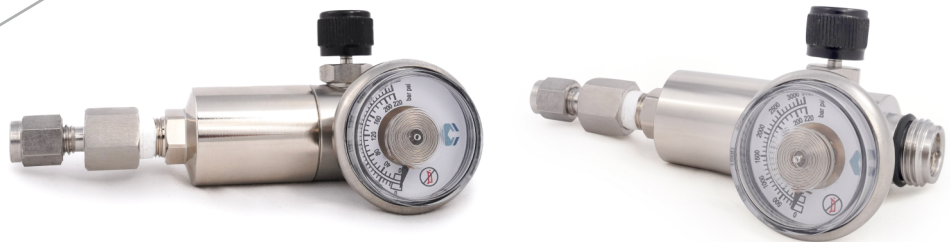
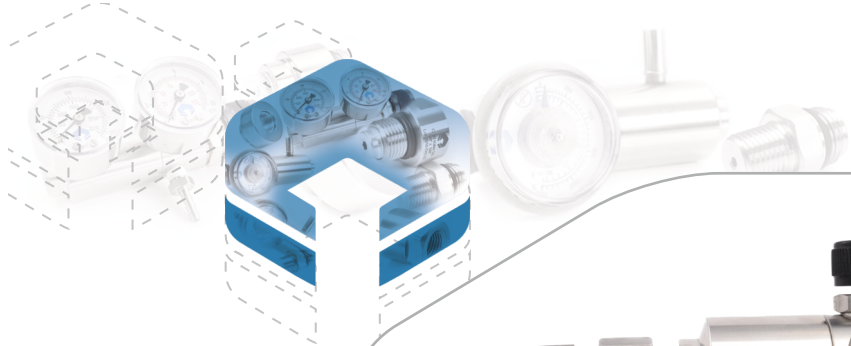
The Mini Fixed Flow Regulator-CGA600 uses a single stage design which allows the end user to obtain a preset constant flow rate. Used for calibration gases and handheld gas detectors. This design does not have a pressure gauge and a on/off knob which makes it a economical option.

#### Materials of construction

Body	Brass
Cap	Brass Nickel Plated
Piston	Brass
Seats and Seals	Teflon, Viton
Flow	Fixed as per customers requirement - 0.1 to 8.0 L/Mn

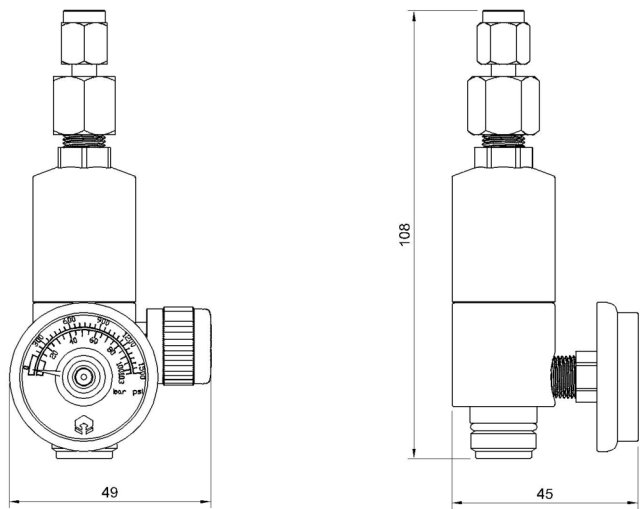
Model	Maximum Inlet Pressure	For Reactive gases and/or non-reactive gases	Inlet Connection	Outlet Connection	Outlet Pressure	Gauge	Weight Kg
909	0 to 600 psig/ 41 bar	Brass NP- For Non- Reactive Gases	CGA600- 1" X 20 UN	3/16" HOSE BARB	60 psig- 4.1bar	NO GAUGE	0.230 Kg

**Warranty:-** All regulators are warranted for 12 months.



## MODEL 910

### FIXED FLOW REGULATOR-BNP-OUTLET 1/8" COMP FITTING



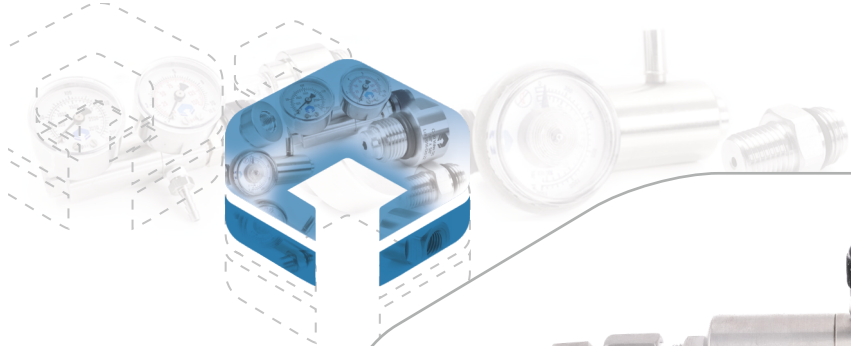
The Fixed Flow Regulator-C10-Brass NP uses a single stage design which allows the end user to obtain a preset constant flow rate. Used for calibration gases and handheld gas detectors.

#### Materials of construction

Body	Stainless Steel
Cap	Brass Nickel Plated
Piston	Brass
Comp fittings	Stainless Steel
Seats and Seals	Teflon, Viton
Flow	Fixed as per customers requirement - 0.1 to 8.0 L/Mn

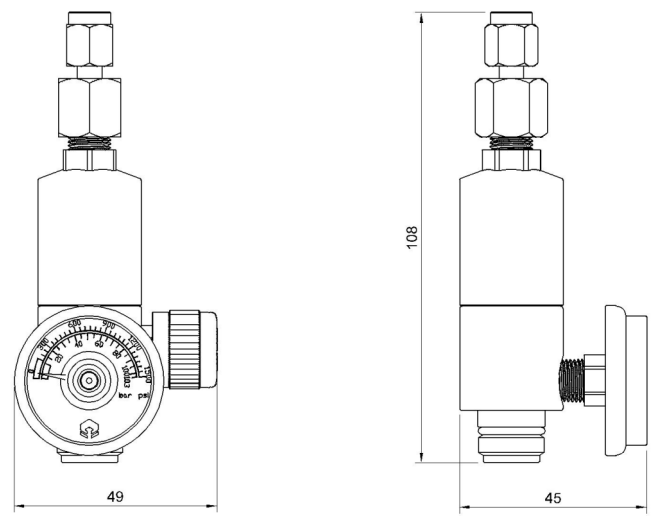
Model	Maximum Inlet Pressure	For Reactive gases and/or non-reactive gases	Inlet Connection	Outlet Connection	Outlet Pressure	Gauge	Weight Kg
910	0 to 1200 psig/ 83 bar	Brass NP- For Non- Reactive Gases	5/8"x18UN C10	1/8" Compression fitting	60 psig- 4.1bar Brass	0 to 1500 psig 103 bar	0.266 Kg

**Warranty:-** All regulators are warranted for 12 months.



## MODEL 911

### FIXED FLOW REGULATOR-SS-OUTLET 1/8" COMP FITTING



The Fixed flow Regulator-C10-SS uses a single stage design which allows the end user to obtain a preset constant flow rate. Used for calibration gases and handheld gas detectors.

#### Materials of construction

Body	Stainless Steel
Cap	Stainless Steel
Piston	Stainless Steel
Seats and Seals	Teflon, Viton
Flow	Fixed as per customers requirement - 0.1 to 8.0 L/Mn

Model	Maximum Inlet Pressure	For Reactive gases and/or non-reactive gases	Inlet Connection	Outlet Connection	Outlet Pressure	Gauge	Weight Kg
911	0 to 1200 psig/ 83 bar	Stainless Steel For Reactive Gases	5/8"x18UN C10	1/8" Compression fitting	60 psig- 4.1bar	Stainless Steel 0 to 1200 psig/ 103 bar	0.258 Kg

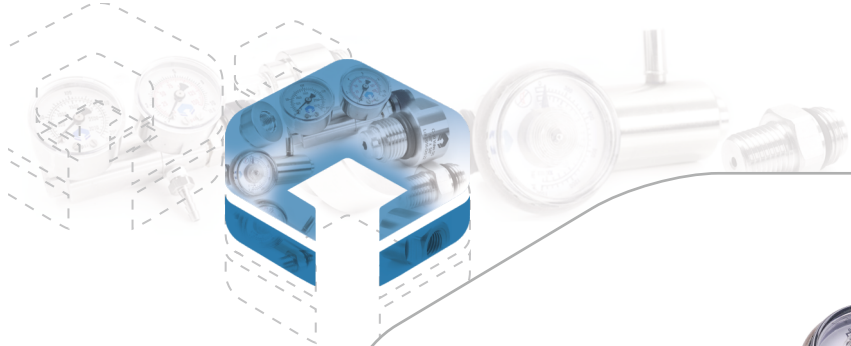
**Warranty:-** All regulators are warranted for 12 months.



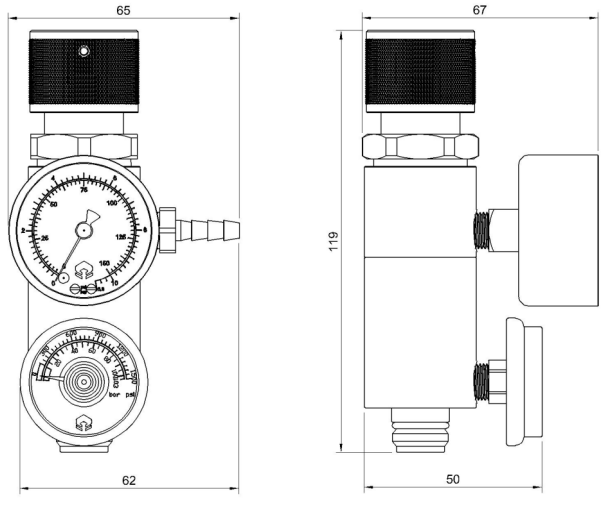
# Series 1200



**GOVIND**  
INDUSTRIES  
Precision Delivered



**MODEL 1210**  
**PRESSURE REDUCING REGULATOR C10**  
**BRASS NP (TWO STAGE)**



The 1210 regulators are adjustable two stage pressure reducing regulators. The two stage designs provides precise and stable outlet pressure as the inlet pressure reduces gradually

**Materials of construction**

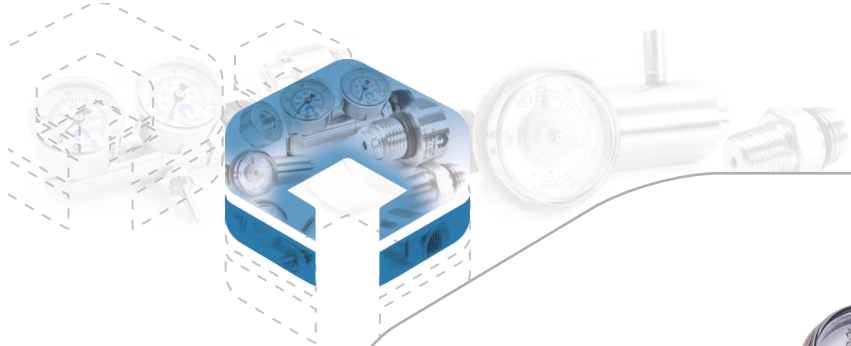
Body	Stainless Steel
Gauge	Stainless Steel
Lock Nut	Brass Nickel Plated
Piston	Brass
Valve Seat	PCTFE
Seals	Viton
Diaphragm	SS316
Control Knob	Aluminum Anodized

**Outlet pressure options for all the variants**

Outlet pressure	Outlet pressure gauge
0 to 1 bar	0 to 2 bar
0 to 4 bar	0 to 10 bar
0 to 7 bar	0 to 10 bar

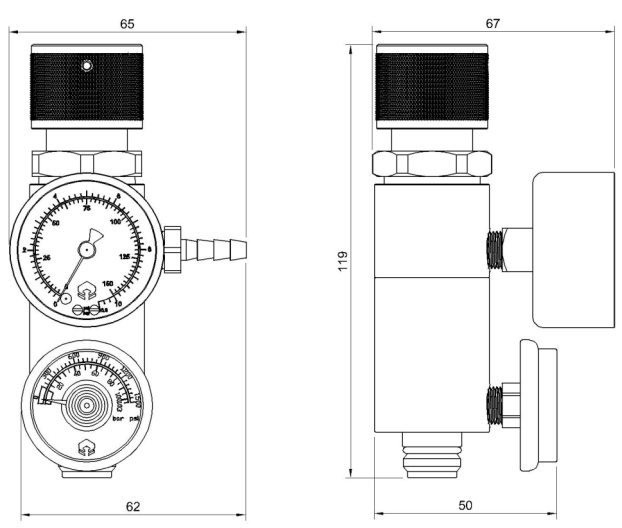
Model	Maximum Inlet Pressure	For Reactive gases and/or non-reactive gases	Inlet Connection	Outlet Connection	Inlet Gauge	Weight Kg
1210	0 to 1200 psig/ 83 bar	Brass NP for Reactive Gases	5/8"x18UN C10	3/16" Barb 4.8mm	Stainless Steel 0 to 1500 psig/103 bar	0.570 Kg

**Warranty:-** All regulators are warranted for 12 months.



## MODEL 1220

### PRESSURE REDUCING REGULATOR C10 SS (TWO STAGE)



The 1220 regulators are adjustable two stage pressure reducing regulators. The two stage designs provides precise and stable outlet pressure as The inlet pressure reduces gradually.

#### Materials of construction

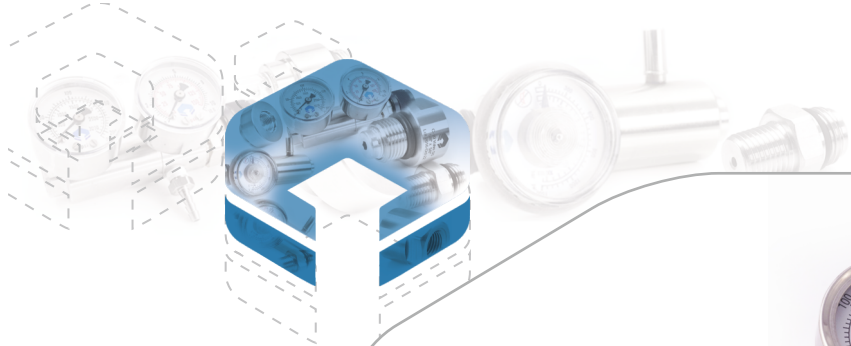
Body	Stainless Steel
Gauge	Stainless Steel
Lock Nut	Brass Nickel Plated
Piston	Stainless Steel
Valve Seat	PCTFE
Seals	Viton
Diaphragm	SS316
Control Knob	Aluminum Anodized

#### Outlet pressure options for all the variants

Outlet pressure	Outlet pressure gauge
0 to 1 bar	0 to 2 bar
0 to 4 bar	0 to 10 bar
0 to 7 bar	0 to 10 bar

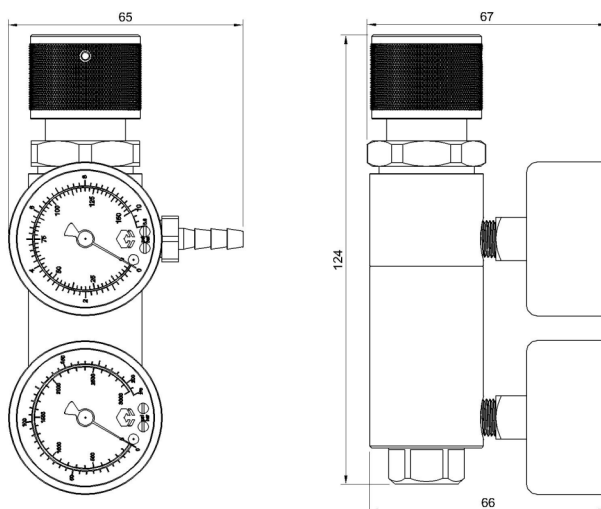
Model	Maximum Inlet Pressure	For Reactive gases and/or non-reactive gases	Inlet Connection	Outlet Connection	Inlet Gauge	Weight Kg
1220	0 to 1200 psig/ 83 bar	Stainless Steel for Reactive Gases	5/8"x18UN C10	3/16" Barb 4.8mm	Stainless Steel 0 to 1500 psig/ 103 bar	0.570 Kg

**Warranty:-** All regulators are warranted for 12 months.



## MODEL 1230

### HP PRESSURE REDUCING REGULATOR BRASS NP (TWO STAGE)



The 1230 regulators are adjustable two stage pressure reducing regulators. The two stage designs provides precise and stable outlet pressure as the inlet pressure reduces gradually.

#### Materials of construction

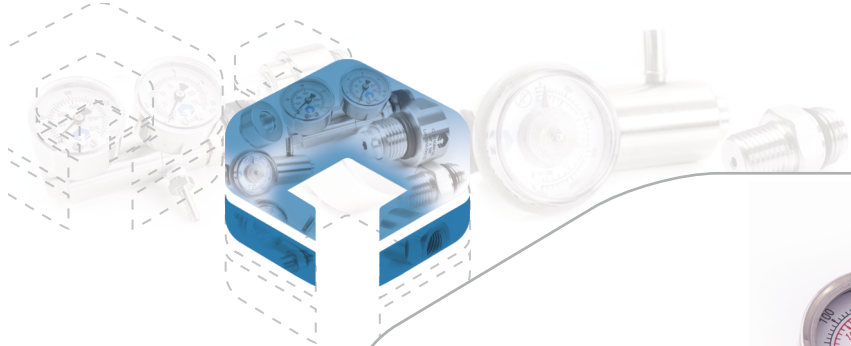
Body	Stainless Steel
Gauge	Stainless Steel
Lock Nut	Brass Nickel Plated
Piston	Brass
Valve Seat	PCTFE
Seals	Viton
Diaphragm	SS316
Control Knob	Aluminum Anodized

#### Outlet pressure options for all the variants

Outlet pressure	Outlet pressure gauge
0 to 1 bar	0 to 2 bar
0 to 4 bar	0 to 10 bar
0 to 7 bar	0 to 10 bar

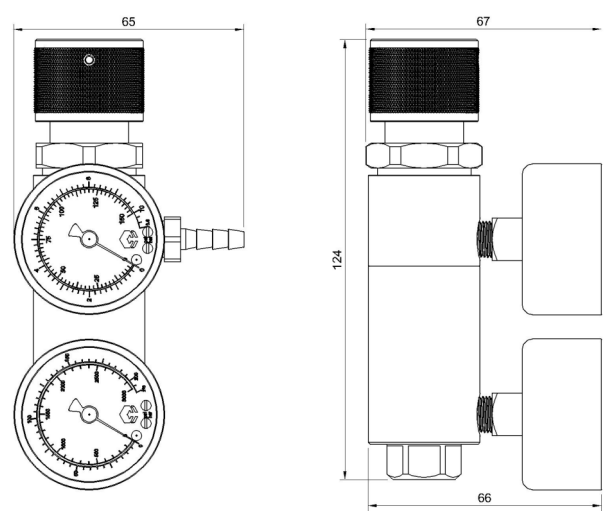
Model	Maximum Inlet Pressure	For Reactive gases and/or non-reactive gases	Inlet Connection	Outlet Connection	Inlet Gauge	Weight Kg
1230	0 to 3000 psig/ 207 bar	Brass NP- for Non- Reactive Gases	¼" FNPT	3/16" Barb 4.8mm	Brass 0 to 3190 psig/ 220 bar	0.660 Kg

**Warranty:-** All regulators are warranted for 12 months.



## MODEL 1240

### HP PRESSURE REDUCING REGULATOR SS (TWO STAGE)



The 1240 regulators are adjustable two stage pressure reducing regulators. The two stage designs provides precise and stable outlet pressure as the inlet pressure reduces gradually.

#### Materials of construction

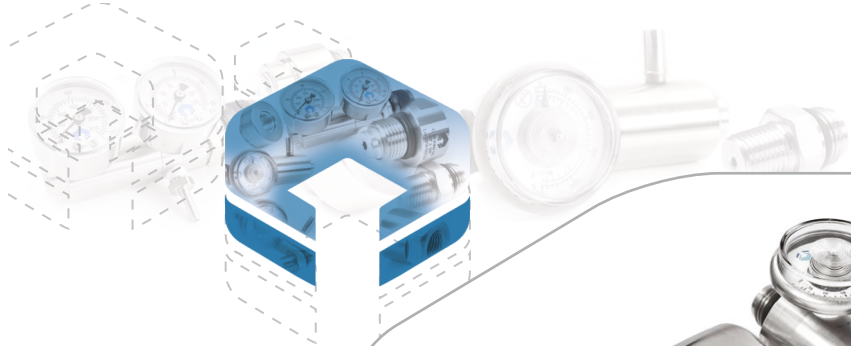
Body	Stainless Steel
Gauge	Stainless Steel
Lock Nut	Brass Nickel Plated
Piston	Stainless Steel
Valve Seat	PCTFE
Seals	Viton
Diaphragm	SS316
Control Knob	Aluminum Anodized

#### Outlet pressure options for all the variants

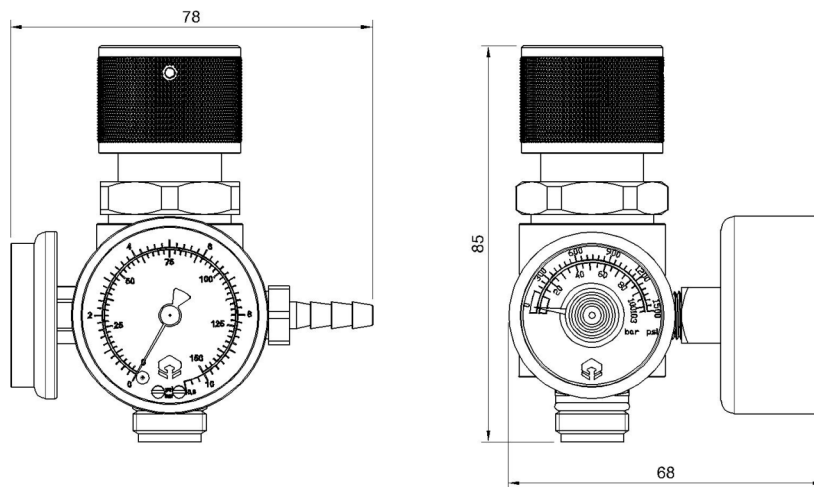
Outlet pressure	Outlet pressure gauge
0 to 1 bar	0 to 2 bar
0 to 4 bar	0 to 10 bar
0 to 7 bar	0 to 10 bar

Model	Maximum Inlet Pressure	For Reactive gases and/or non-reactive gases	Inlet Connection	Outlet Connection	Inlet Gauge	Weight Kg
1240	0 to 3000 psig/ 207 bar	Stainless Steel for Reactive Gases	¼"NPT Female	3/16" Barb 4.8mm	Stainless Steel 0 to 3190 psig/ 220 bar	0.661 Kg

**Warranty:-** All regulators are warranted for 12 months.



## MODEL 1250-M PRESSURE REDUCING REGULATOR C10 BRASS NP (SINGLE STAGE)



The 1250-M regulators are adjustable single stage pressure reducing regulators. These single stage designs provides stable outlet pressure irrespective to the reducing inlet pressure.

### Materials of construction

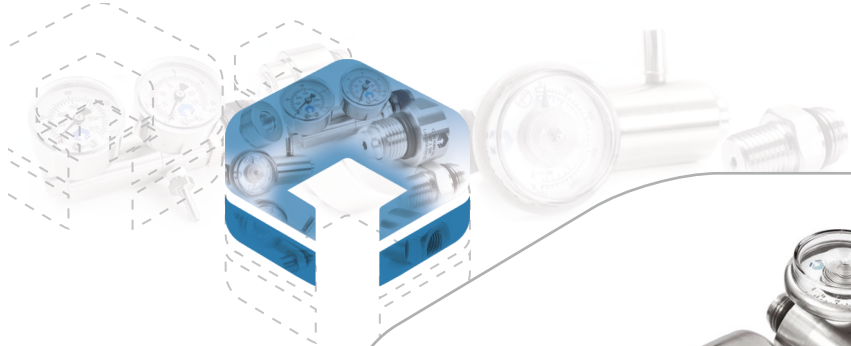
Body	Stainless Steel
Gauge	Brass
Lock Nut	Brass NP
Valve Seat	PCTFE
Seals	Viton
Diaphragm	SS316
Control Knob	Aluminum Anodized

### Outlet pressure options for all the variants

Outlet pressure	Outlet pressure gauge
0 to 1 bar	0 to 2 bar
0 to 4 bar	0 to 10 bar
0 to 7 bar	0 to 10 bar

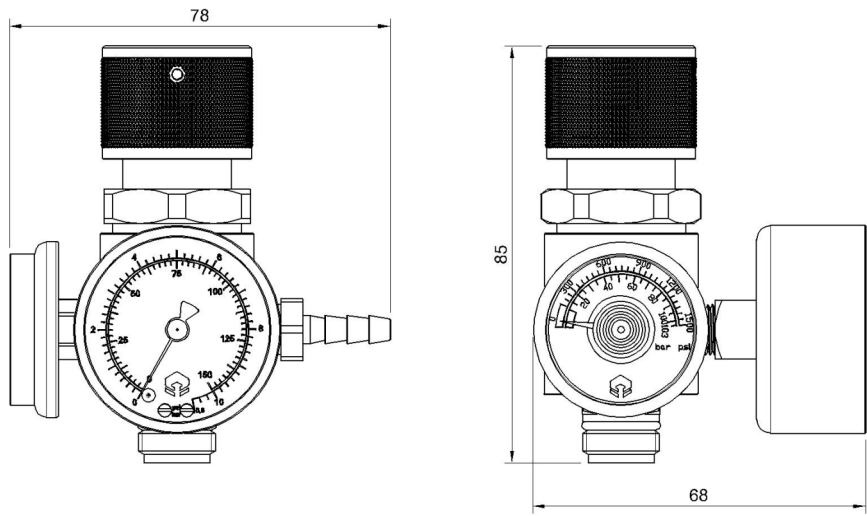
Model	Maximum Inlet Pressure	For Reactive gases and/or non-reactive gases	Inlet Connection	Outlet Connection	Inlet Gauge	Weight Kg
1250-M	0 to 1200 psig/ 83 bar	Brass NP- for Non- Reactive Gases	5/8"x18UN C10	3/16" Barb 4.8mm	Brass 0 to 1500 psig/ 103 bar	0.380 Kg

**Warranty:-** All regulators are warranted for 12 months.



## MODEL 1260-M

### PRESSURE REDUCING REGULATOR C10 SS (SINGLE STAGE)



The 1260-M regulators are adjustable single stage pressure reducing regulators. These single stage designs provides stable outlet pressure with respect to the reducing inlet pressure.

#### Materials of construction

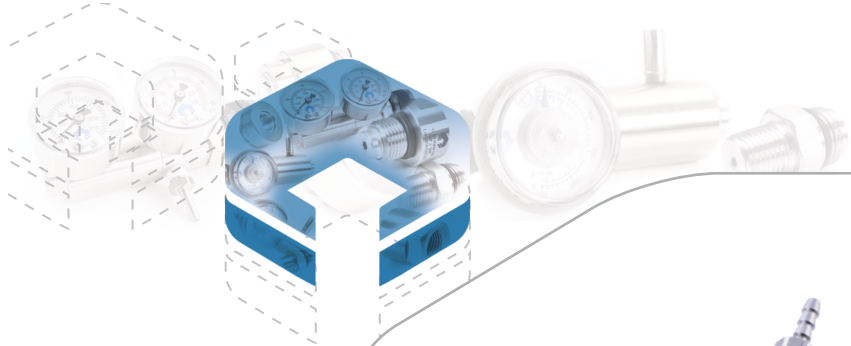
Body	Stainless Steel 303
Gauge	Stainless Steel 316
Lock Nut	Brass NP
Valve Seat	PCTFE
Seals	Viton
Diaphragm	SS316
Control Knob	Aluminum Anodized
Valve Spring	SS 316

#### Outlet pressure options for all the variants

Outlet pressure	Outlet pressure gauge
0 to 1 bar	0 to 2 bar
0 to 4 bar	0 to 10 bar
0 to 7 bar	0 to 10 bar

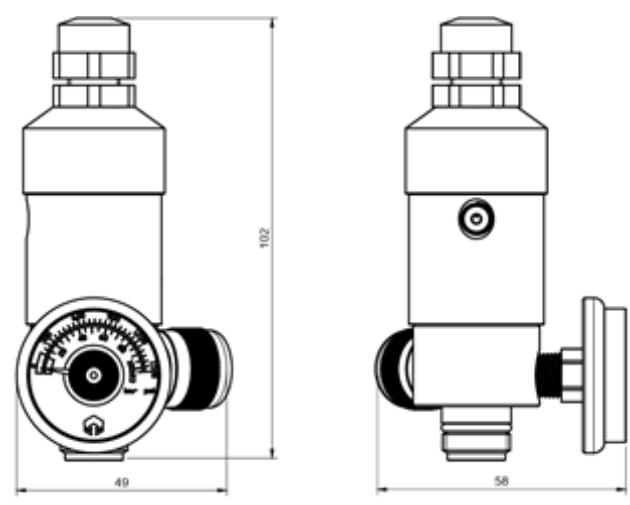
Model	Maximum Inlet Pressure	For Reactive gases and/or non-reactive gases	Inlet Connection	Outlet Connection	Inlet Gauge	Weight Kg
1260-M	0 to 1200 psig/ 83 bar	Stainless Steel for Reactive Gases	5/8"x18UN C10	3/16" Barb 4.8mm	Stainless Steel 0 to 1500 psig/ 103 bar	0.380 Kg

**Warranty:-** All regulators are warranted for 12 months.



## MODEL 1270

CONSTANT PRESSURE REGULATOR BRASS N.P.



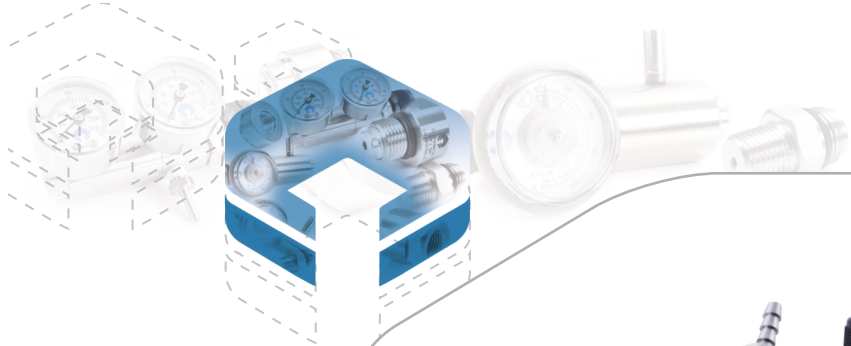
The Constant Pressure regulator uses a double stage design which provides the user a precise and constant outlet pressure of 0.5 Bar. This regulator is used with calibration gases and for calibration of Gas detectors.

### Materials of construction

Body	Stainless Steel
Gauge	Stainless Steel
Neck	Brass
Piston	Brass
Seats and Seals	Viton, Teflon
Diaphragm	Viton
Cap	Aluminum
Outlet pressure	0.5 Bar (Constant)

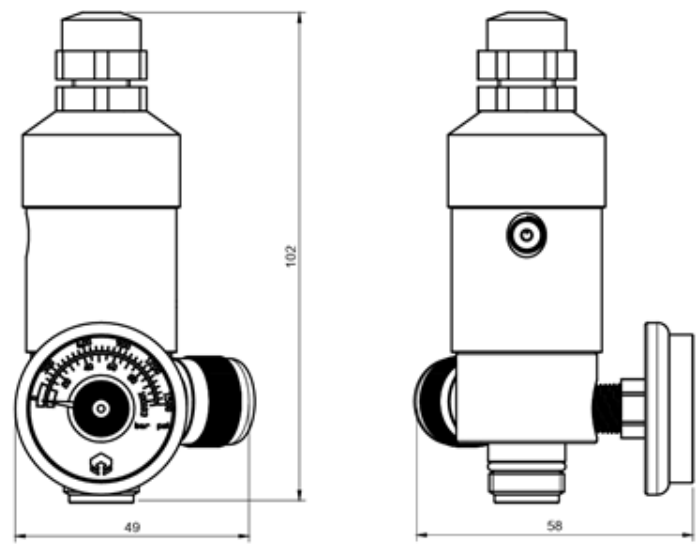
Model	Maximum Inlet Pressure	For Reactive gases and/or non-reactive gases	Inlet Connection	Outlet Connection	Gauge	Weight Kg
1270	0 to 1200 psig/ 83 bar	Brass NP – For Non- Reactive Gases	5/8"x18UN C10	3/16" Barb 4.8mm	Brass 0 to 1500 Psig 103 bar	0.400 Kg

**Warranty:-** All regulators are warranted for 12 months.



## MODEL 1280

### CONSTANT PRESSURE REGULATOR STAINLESS STEEL



The Constant Pressure regulator uses a double stage design which provides the user a precise and constant outlet pressure of 0.5 Bar. This regulator is used with calibration gases and for calibration of Gas detectors.

#### Materials of construction

Body	Stainless Steel
Gauge	Stainless Steel
Neck	Stainless Steel
Piston	Stainless Steel
Seats and Seals	Viton, Teflon
Diaphragm	Viton
Cap	Aluminum
Outlet pressure	0.5 Bar (Constant)

Model	Maximum Inlet Pressure	For Reactive gases and/or non-reactive gases	Inlet Connection	Outlet Connection	Gauge	Weight Kg
1280	0 to 1200 psig/ 83 bar	Stainless Steel - For Reactive Gases	5/8"x18UN C10	3/16" Barb 4.8mm	Stainless Steel 0 to 1500 Psig 103 bar	0.400 Kg

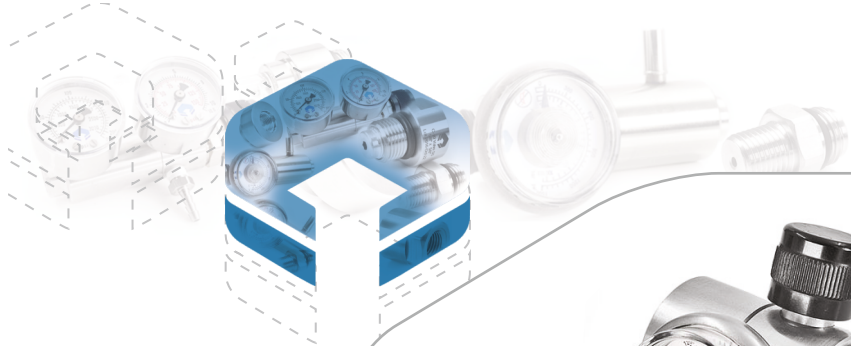
**Warranty:-** All regulators are warranted for 12 months.



# Series 1300

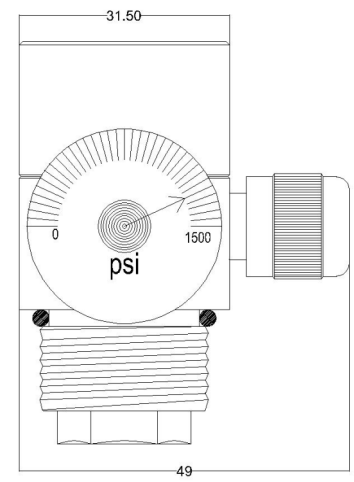
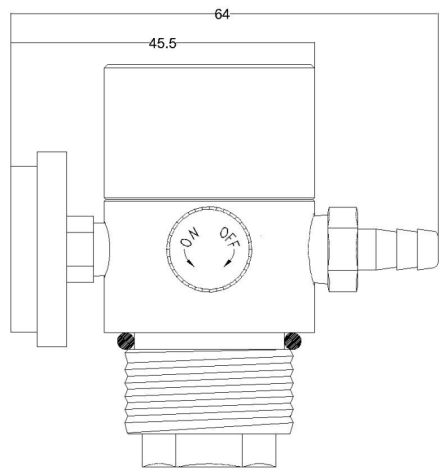


**GOVIND**  
INDUSTRIES  
Precision Delivered



## MODEL 1300

### INTEGRATED C10 VALVE STAINLESS STEEL



The Integrated C10 Valve is a combination of a C10 valve and a single stage pressure reducing design. This product can be directly connected to a 17L and 34L cylinders.

#### Materials of construction

Body	Stainless Steel
Valve Pin	Stainless Steel
Valve Seat	Stainless Steel
Piston	Stainless Steel
Seats and Seals	Viton, Teflon

Model	Working Pressure	For Reactive gases and/or non-reactive gases	Inlet Connection	Outlet Connection	Weight Kg
1300	0 to 1200 psig/ 83 bar	Stainless Steel For Reactive Gases and non-reactive gases	1"x14UN	3/16" Barb Hose or 1/18" FNPT	0.258 Kg

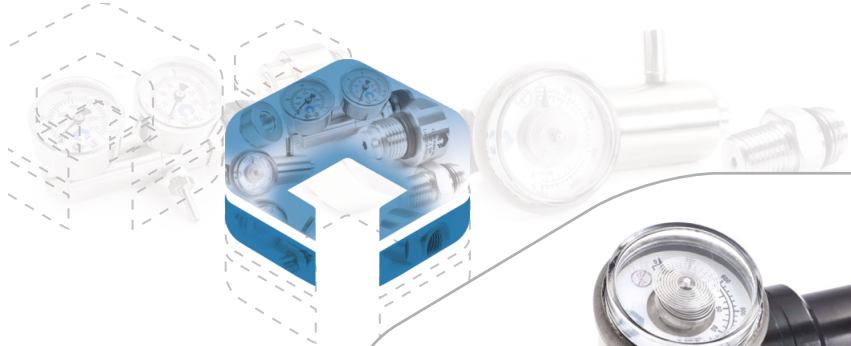
**Warranty:-** All valve are warranted for 12 months.



# Series 2000

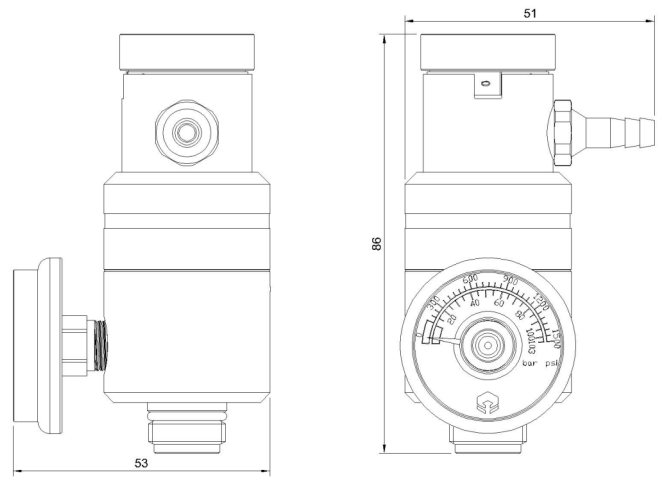


**GOVIND**  
INDUSTRIES  
Precision Delivered



## MODEL 2001

### DIAL-A-FLOW REGULATOR-C10-BRASS NP



The Dial-A-Flow regulator uses a single stage design which give the end user a series of preset constant flow rates. The Dial on the top of the regulator is to be used to manually change the flow rates. Used for calibration gases and handheld gas detectors

#### Materials of construction

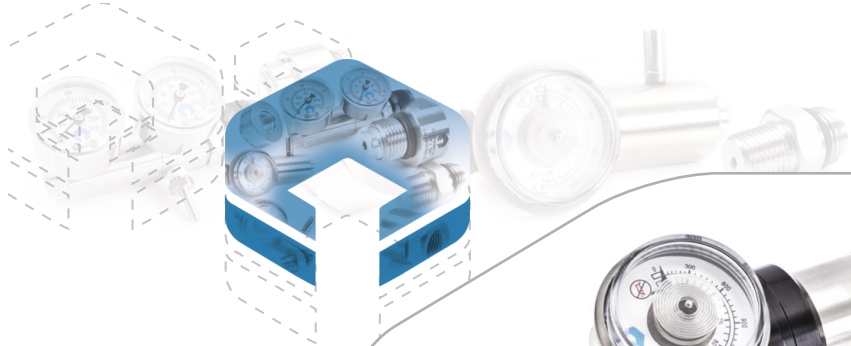
Body	Stainless Steel
Neck	Aluminum Black anodized
Piston	Brass
Seats and Seals	Teflon, Viton & Buna-N
Bonnet	Aluminum Black Anodized

#### Flow rate options

1.	0-0.3-0.5-1.0-1.5-2.0-2.5-3.0-5.0-6.0-7.0-8.0 L/Mn
2.	0-0.15-0.3-0.5-0.75-1.0-1.25-1.5-1.75-2.0-2.5-3.0 L/Mn
3.	0-0.5-1.0-1.5-2.0-2.5-3.0-5.0-6.0-7.0-10.0-15.0 L/Mn

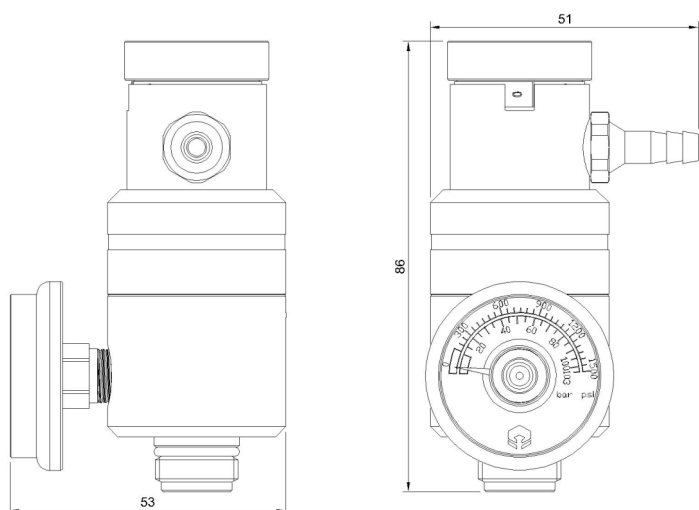
Model	Maximum Inlet Pressure	For Reactive gases and/or non-reactive gases	Flow rates	Inlet Connection	Outlet Connection	Gauge	Weight Kg
2001	0 to 1200 psig/ 83 bar	Brass NP- for Non- Reactive Gases	Refer flow rate table	5/8"x18UN C10	3/16" Barb 4.8mm	Brass 0 to 1500 psig 103 bar	0.350 Kg

**Warranty:-** All regulators are warranted for 12 months.



## MODEL 2002

### DIAL-A-FLOW REGULATOR-C10-STAINLESS STEEL



The Dial-A-Flow regulator uses a single stage design which give the end user a series of preset constant flow rates. The Dial on the top of the regulator is to be used to manually change the flow rates. Used for calibration gases and handheld gas detectors

#### Materials of construction

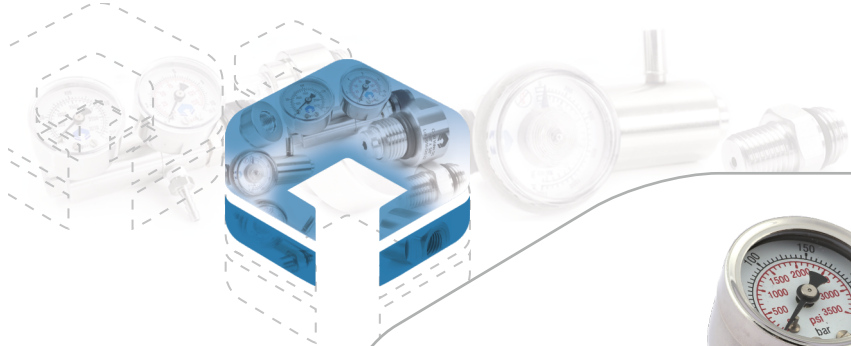
Body	Stainless Steel
Neck	Stainless Steel
Piston	Stainless Steel
Seats and Seals	Teflon, Viton & Buna-N
Bonnet	Aluminum Black Anodized

#### Flow rate options

1.	0-0.3-0.5-1.0-1.5-2.0-2.5-3.0-5.0-6.0-7.0-8.0 L/Mn
2.	0-0.15-0.3-0.5-0.75-1.0-1.25-1.5-1.75-2.0-2.5-3.0 L/Mn
3.	0-0.5-1.0-1.5-2.0-2.5-3.0-5.0-6.0-7.0-10.0-15.0 L/Mn

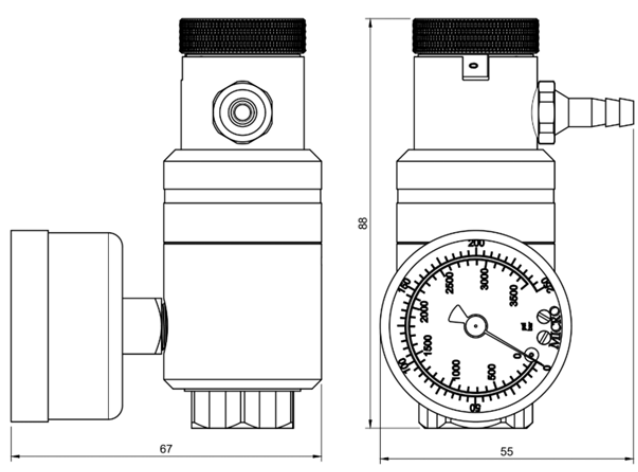
Model	Maximum Inlet Pressure	For Reactive gases and/or non-reactive gases	Flow rates	Inlet Connection	Outlet Connection	Gauge	Weight Kg
2002	0 to 1200 psig/ 83 bar	Stainless Steel for Reactive Gases	Refer flow rate table	5/8"x18UN C10	3/16" Barb 4.8mm	Stainless Steel 0 to 1500 psig 103 bar	0.380 Kg

**Warranty:-** All regulators are warranted for 12 months.



## MODEL 2003

### HP DIAL-A-FLOW REGULATOR BRASS NP



The Dial-A-Flow regulator uses a single stage design which give the end user a series of preset constant flow rates. The Dial on the top of the regulator is to be used to manually change the flow rates. Used for calibration gases and handheld gas detectors.

#### Materials of construction

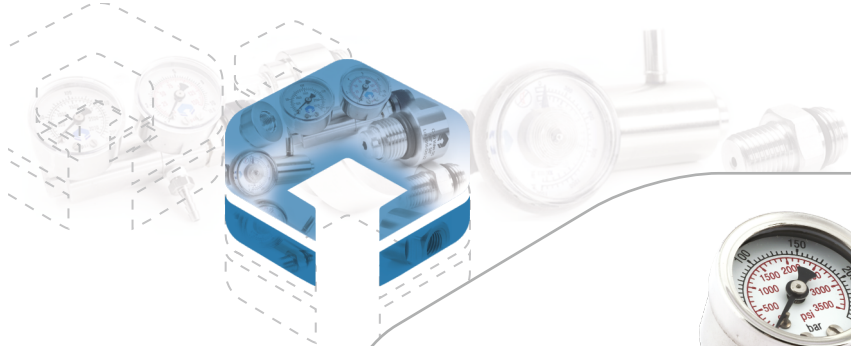
Body	Stainless Steel
Neck	Aluminum Black anodized
Piston	Brass
Seats and Seals	Teflon, Viton & Buna-N
Bonnet	Aluminum Black Anodized

#### Flow rate options

1.	0-0.3-0.5-1.0-1.5-2.0-2.5-3.0-5.0-6.0-7.0-8.0 L/Mn
2.	0-0.15-0.3-0.5-0.75-1.0-1.25-1.5-1.75-2.0-2.5-3.0 L/Mn
3.	0-0.5-1.0-1.5-2.0-2.5-3.0-5.0-6.0-7.0-10.0-15.0 L/Mn

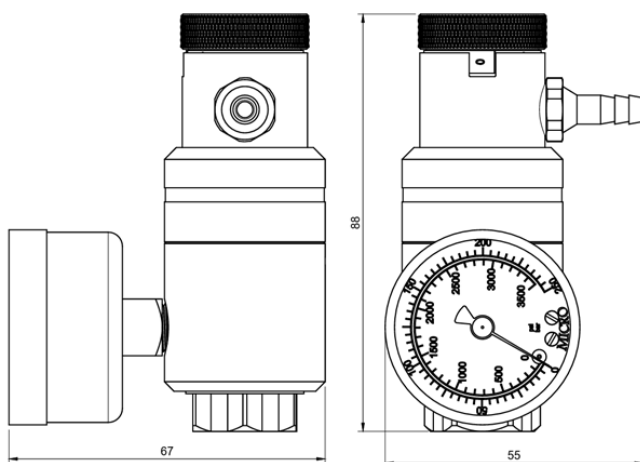
Model	Maximum Inlet Pressure	For Reactive gases and/or non-reactive gases	Flow rates	Inlet Connection	Outlet Connection	Gauge	Weight Kg
2003	0 to 3000 psig/ 207 bar	Brass NP - For Non- Reactive Gases	Refer flow rate table	¼" NPT Female	3/16" Barb 4.8mm	Brass 0 to 3190 psig 220 bar	0.400 Kg

**Warranty:-** All regulators are warranted for 12 months.



## MODEL 2004

### HP DIAL-A-FLOW REGULATOR STAINLESS STEEL



The Dial-A-Flow regulator uses a single stage design which give the end user a series of preset constant flow rates. The Dial on the top of the regulator is to be used to manually change the flow rates. Used for calibration gases and handheld gas detectors

#### Materials of construction

Body	Stainless Steel
Neck	Stainless Steel
Piston	Stainless Steel
Seats and Seals	Teflon, Viton & Buna-N
Bonnet	Aluminum Black Anodized

#### Flow rate options

1.	0-0.3-0.5-1.0-1.5-2.0-2.5-3.0-5.0-6.0-7.0-8.0 L/Mn
2.	0-0.15-0.3-0.5-0.75-1.0-1.25-1.5-1.75-2.0-2.5-3.0 L/Mn
3.	0-0.5-1.0-1.5-2.0-2.5-3.0-5.0-6.0-7.0-10.0-15.0 L/Mn

Model	Maximum Inlet Pressure	For Reactive gases and/or non-reactive gases	Flow rates	Inlet Connection	Outlet Connection	Gauge	Weight Kg
2004	0 to 3000 psig/ 207 bar	Stainless Steel For Reactive Gases	Refer flow rate table	¼" NPT Female	3/16" Barb 4.8mm	Stainless Steel 0 to 3190 psig 220 bar	0.430 Kg

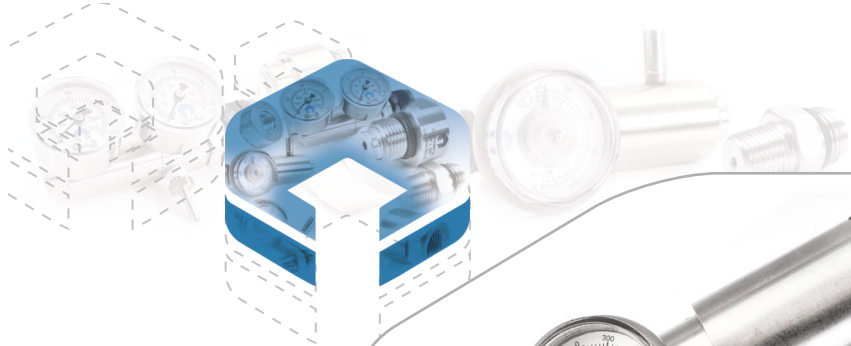
**Warranty:-** All regulators are warranted for 12 months.



# Series 3000

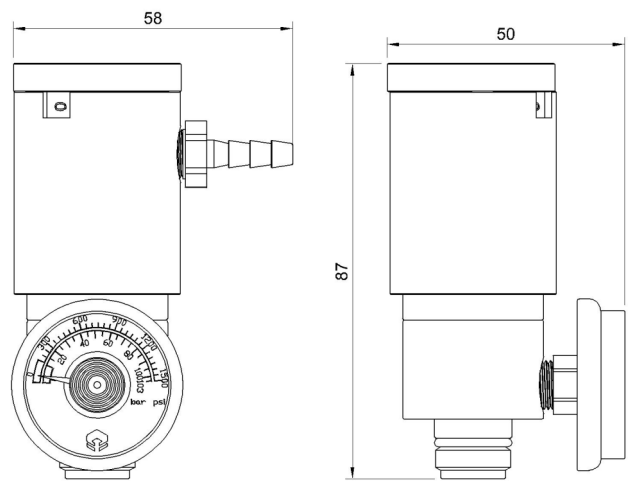


**GOVIND**  
INDUSTRIES  
Precision Delivered



## MODEL 3001

### VARI FLOW REGULATOR C10 STAINLESS STEEL



The Vari flow regulator uses a single stage design which gives the end user a series of preset constant flow rates. The Dial on the top of the regulator is to be used to manually change the flow rates. Used for calibration gases & handheld gas detectors.

#### Materials of construction

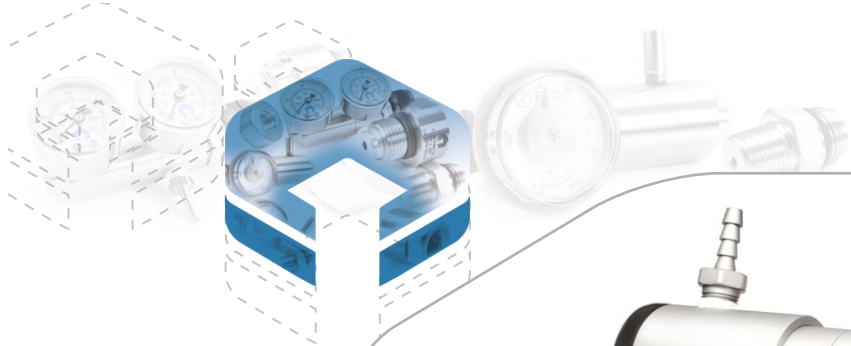
Body	Stainless Steel
Neck	Stainless Steel
Piston	Stainless Steel
Seats and Seals	Teflon, Viton & Buna-N
Bonnet	Aluminum Black Anodized

#### Flow rate options

1.	0-0.3-0.5-1.0-1.5-2.0-2.5-3.0-5.0-6.0-7.0-8.0 L/Mn
2.	0-0.15-0.3-0.5-0.75-1.0-1.25-1.5-1.75-2.0-2.5-3.0 L/Mn
3.	0-0.5-1.0-1.5-2.0-2.5-3.0-5.0-6.0-7.0-10.0-15.0 L/Mn

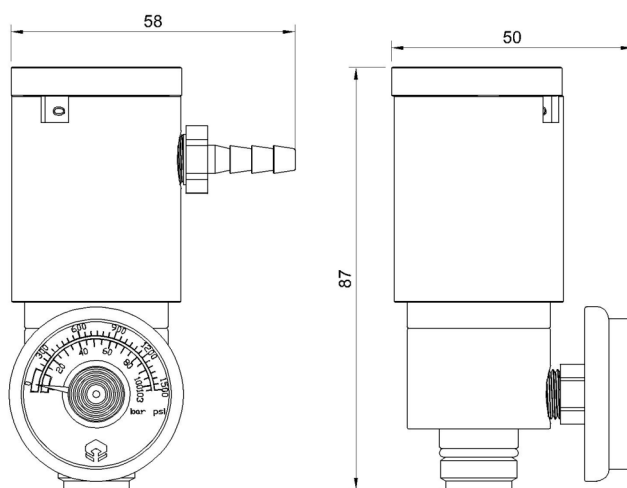
Model	Maximum Inlet Pressure	For Reactive gases and/or non-reactive gases	Flow rates	Inlet Connection	Outlet Connection	Gauge	Weight Kg
3001	0 to 1200 psig/ 83 bar	Stainless Steel For Reactive Gases	Refer flow rate table	5/8"x18UN C10	3/16" Barb 4.8mm	Stainless Steel 0 to 1500 psig 103 bar	0.460 Kg

**Warranty:-** All regulators are warranted for 12 months.



## MODEL 3002

### VARI FLOW REGULATOR C10 ALUMINUM ANODIZED



The Vari Flow Regulator uses a single stage design which gives the end user a series of preset constant flow rates. The Dial on the top of the regulator is to be used to manually change the flow rates. Used for calibration gases & handheld gas detectors.

#### Materials of construction

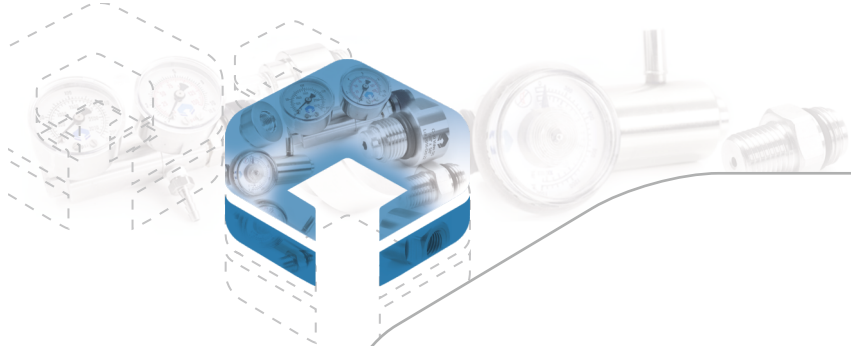
Body	Aluminum Silver anodized
Neck	Aluminum Silver anodized
Piston	Brass
Seats and Seals	Teflon, Viton & Buna-N
Bonnet	Aluminum Black Anodized

#### Flow rate options

1.	0-0.3-0.5-1.0-1.5-2.0-2.5-3.0-5.0-6.0-7.0-8.0 L/Mn
2.	0-0.15-0.3-0.5-0.75-1.0-1.25-1.5-1.75-2.0-2.5-3.0 L/Mn
3.	0-0.5-1.0-1.5-2.0-2.5-3.0-5.0-6.0-7.0-10.0-15.0 L/Mn

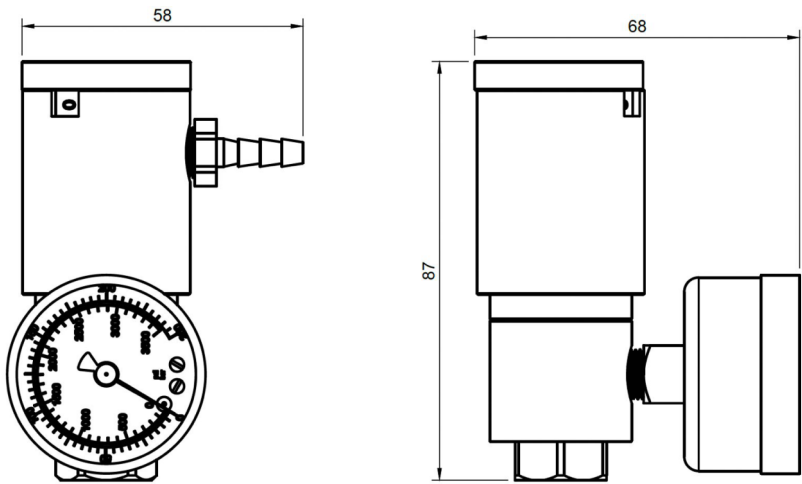
Model	Maximum Inlet Pressure	For Reactive gases and/or non-reactive gases	Flow rates	Inlet Connection	Outlet Connection	Gauge	Weight Kg
3002	0 to 1200 psig/ 83 bar	Aluminum Anodized For Non-Reactive Gases	Refer flow rate table	5/8"x18UN C10	3/16" Barb 4.8mm	Brass 0 to 1500 psig 103 bar	0.200 Kg

**Warranty:-** All regulators are warranted for 12 months.



## Model 3003

### HP VARI FLOW REGULATOR STAINLESS STEEL



The HP Vari Flow Regulator uses a single stage design which gives the end user a series of preset constant flow rates. The Dial on the top of the regulator is used to manually change the flow rate. Used for calibration gases and to calibrate fixed and/or handheld gas detector.

#### Materials of construction

Body	Stainless Steel
Neck	Stainless Steel
Piston	Stainless Steel
Seats and Seals	Teflon & Viton
Bonnet	Aluminum Black Anodized

#### Flow rate options

1.	0-0.3-0.5-1.0-1.5-2.0-2.5-3.0-5.0-6.0-7.0-8.0 L/Mn
2.	0-0.15-0.3-0.5-0.75-1.0-1.25-1.5-1.75-2.0-2.5-3.0 L/Mn
3.	0-0.5-1.0-1.5-2.0-2.5-3.0-5.0-6.0-7.0-10.0-15.0 L/Mn

Model	Maximum Inlet Pressure	For Reactive gases and/or non-reactive gases	Flow rates	Inlet Connection	Outlet Connection	Gauge	Weight Kg
3003	0 to 3000 psig/ 207 bar	Stainless Steel Reactive Gases	Refer flow rate table	1/4" NTP Female	3/16" Barb 4.8mm	Satinless Steel 0 to 3190 psig 220 bar	0.521 Kg

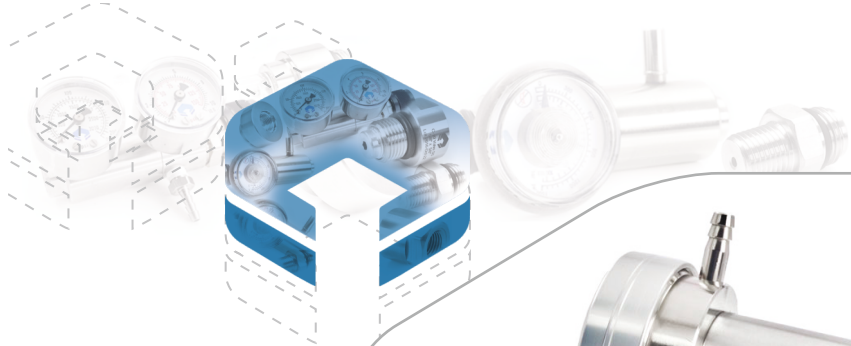
**Warranty:-** All regulators are warranted for 12 months.



# Series 5000

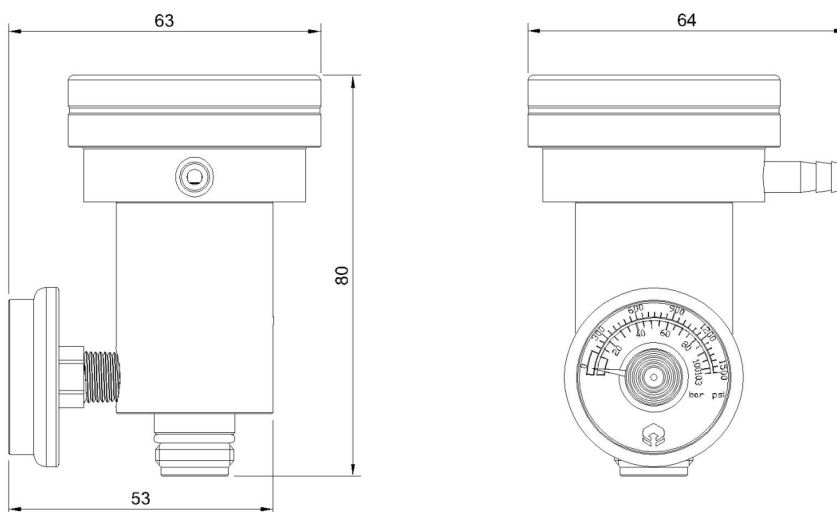


**GOVIND**  
INDUSTRIES  
Precision Delivered



## MODEL 5001

### DEMAND FLOW REGULATOR-C10-BRASS NP



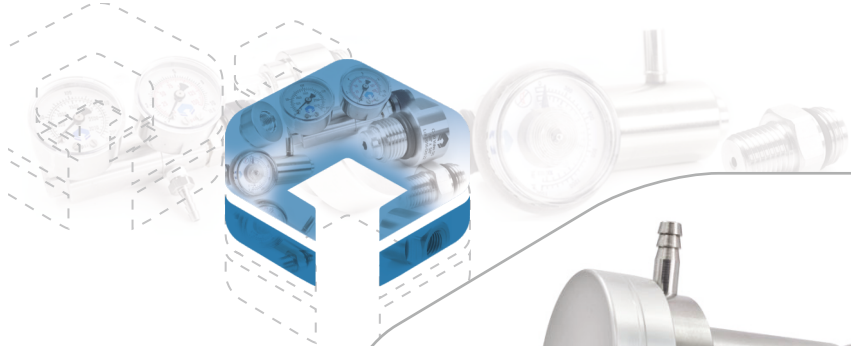
The Demand Flow Regulator-C10 is used for calibration gases, pump based instruments and handheld gas detectors. These regulators supply gas as demanded by the instrument and automatically shuts off.

#### Materials of construction

Body	Stainless Steel
Neck	Brass NP
Piston	Brass
Seats and Seals	Teflon, Viton & Buna-N
Diaphragm	Buna-N

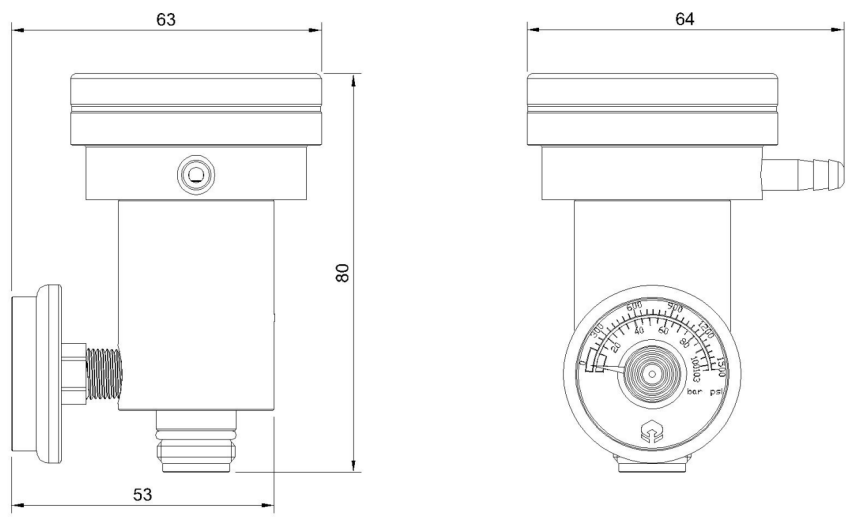
Model	Maximum Inlet Pressure	For Reactive Gases and/or Non-Reactive gases	Maximum Vacuum Required For 3.0L/ MN Flow	Inlet Connection	Outlet Connection	Gauge	Weight Kg
5001	0 to 1200 psig/ 83 bar	Brass NP for Non-Reactive Gases	0 to 3" H2O /5.6 mm Hg	5/8"x18UN C10	3/16" Barb 4.8mm	Brass 0 to 1500 psig 103 bar	0.450 Kg

**Warranty:-** All regulators are warranted for 12 months.



## MODEL 5002

### DEMAND FLOW REGULATOR-C10-STAINLESS STEEL



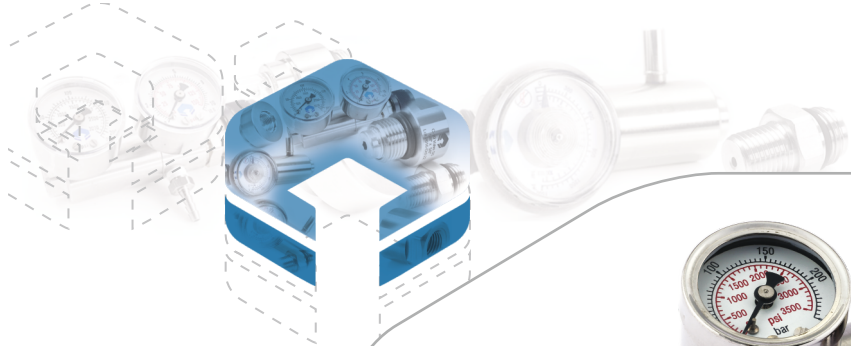
The Demand Flow Regulator-C10 is used for calibration gases, pump based instruments and handheld gas detectors. These regulators supply gas as demanded by the instrument and automatically shuts off.

#### Materials of construction

Body	Stainless Steel
Neck	Stainless Steel
Piston	Stainless Steel
Seats and Seals	Teflon, Viton
Diaphragm	Viton

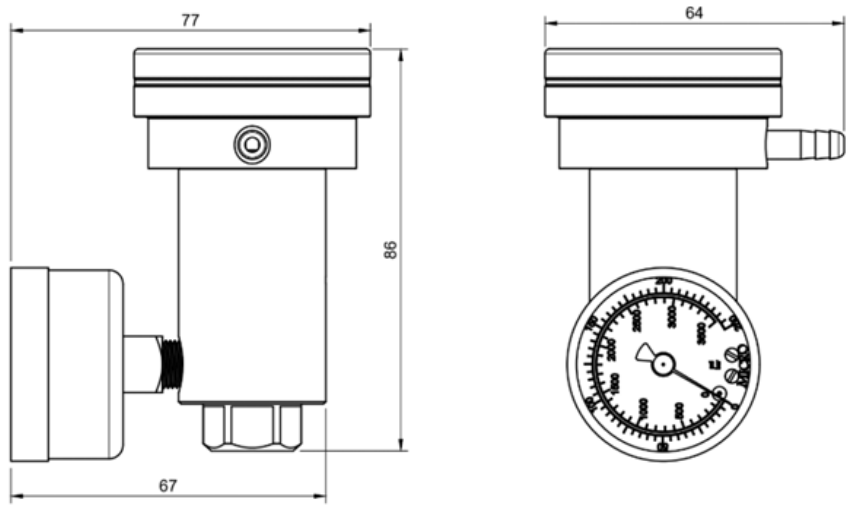
Model	Maximum Inlet Pressure	For Reactive Gases and/or Non-Reactive gases	Maximum Vacuum Required For 3.0L/ MN Flow	Inlet Connection	Outlet Connection	Gauge	Weight Kg
5002	0 to 1200 psig/ 83 bar	Stainless Steel for Reactive Gases	0 to 3" H2O /5.6 mm Hg	5/8"x18UN C10	3/16" Barb 4.8mm	Stainless Steel 0 to 1500 psig 103 bar	0.430 Kg

**Warranty:-** All regulators are warranted for 12 months.



## MODEL 5003

### HP DEMAND FLOW REGULATOR BRASS NP



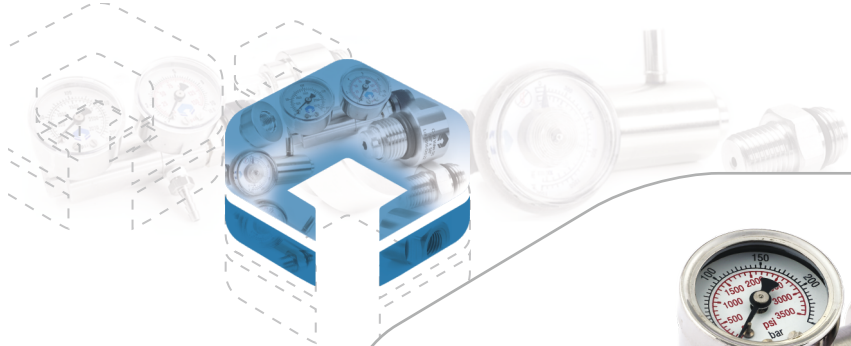
The High Pressure Demand Flow Regulator is used for calibration gases, pump based instruments and handheld gas detectors. These regulators supply gas as demanded by the instrument and automatically shuts off.

#### Materials of construction

Body	Stainless Steel
Neck	Brass NP
Piston	Brass
Seats and Seals	Teflon, Viton
Diaphragm	Viton

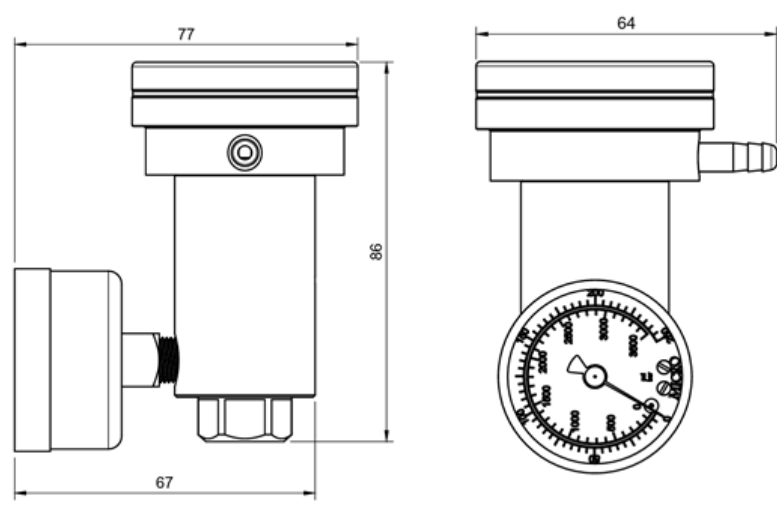
Model	Maximum Inlet Pressure	For Reactive Gases and/or Non-Reactive gases	Maximum Vacuum Required For 3.0L/ MN Flow	Inlet Connection	Outlet Connection	Gauge	Weight Kg
5003	0 to 3000 psig/ 207 bar	Brass NP for Non - Reactive Gases	0 to 3" H2O /5.6 mm Hg	¼" NPT-F	3/16" Barb 4.8mm	Stainless Steel 0 to 3190 psig 220 bar	0.470 Kg

**Warranty:-** All regulators are warranted for 12 months.



## MODEL 5004

### HP DEMAND FLOW REGULATOR STAINLESS STEEL



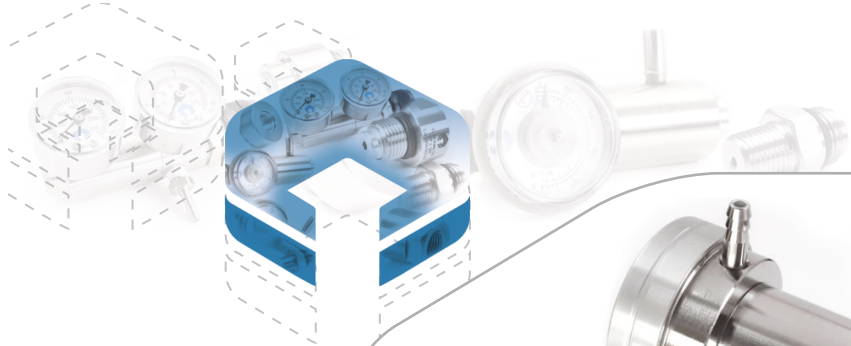
The High Pressure Demand Flow Regulator is used for calibration gases, pump based instruments and handheld gas detectors. These regulators supply gas as demanded by the instrument and automatically shuts off.

#### Materials of construction

Body	Stainless Steel
Neck	Stainless Steel
Piston	Stainless Steel
Seats and Seals	Teflon, Viton
Diaphragm	Viton

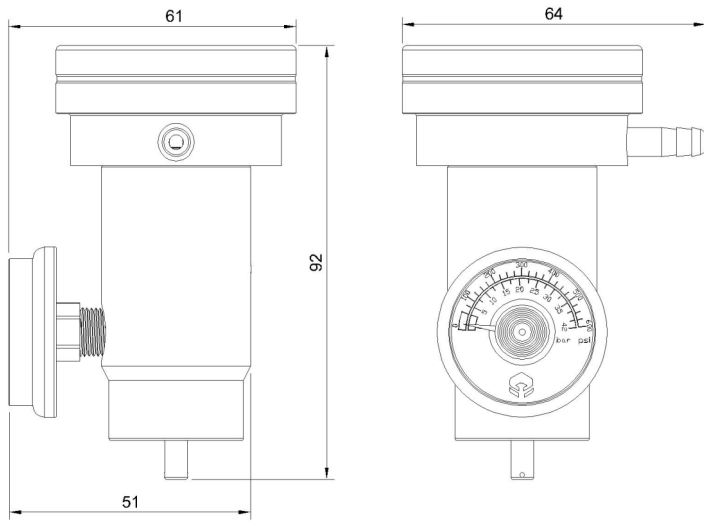
Model	Maximum Inlet Pressure	For Reactive Gases and/or Non-Reactive gases	Maximum Vacuum Required For 3.0L/ MN Flow	Inlet Connection	Outlet Connection	Gauge	Weight Kg
5004	0 to 3000 psig/ 200bar	Stainless Steel for Reactive Gases	0 to 3" H2O /5.6 mm Hg	¼" NPT-F	3/16" Barb 4.8mm	Stainless Steel 0 to 3190 psig 220 bar	0.480 Kg

**Warranty:-** All regulators are warranted for 12 months.



## Model 5005

### CGA 600 DEMAND FLOW REGULATOR BRASS NP



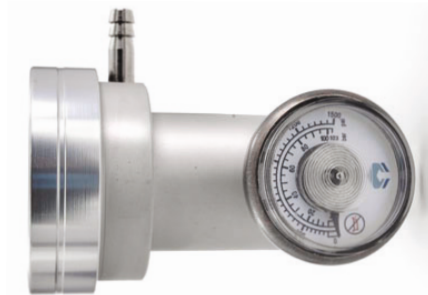
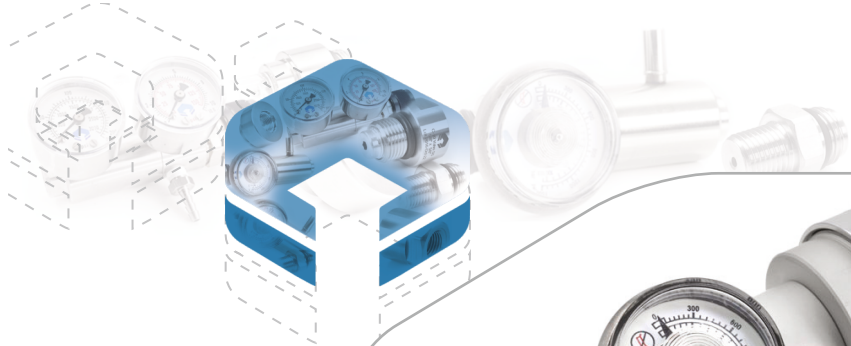
The CGA 600 Demand Flow Regulator is used for calibration gases, pump based instruments and handheld gas detectors. These regulators supply gas as demanded by the instrument and automatically shuts off.

#### Materials of construction

Body	Brass NP
Neck	Brass NP
Piston	Brass
Seats and Seals	Teflon, Viton & Buna-N
Diaphragm	Buna-N

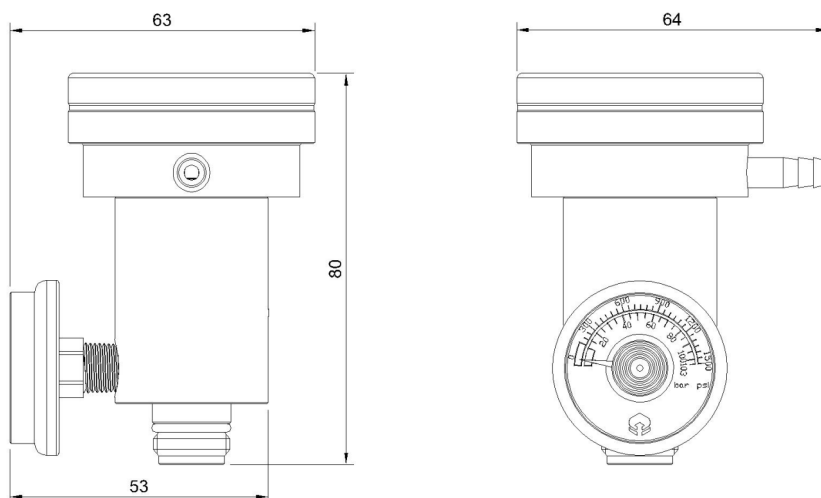
Model	Maximum Inlet Pressure	For Reactive Gases and/or Non-Reactive gases	Maximum Vacuum Required For 3.0L/ MN Flow	Inlet Connection	Outlet Connection	Gauge	Weight Kg
5005	0 to 600 psig/ 200bar	Brass NP for Non - Reactive Gases	0 to 3" H2O /5.6 mm Hg	1" x20 UNF CGA600	3/16" Barb 4.8mm	Brass 0 to 600 psig 41 bar	0.450 Kg

**Warranty:-** All regulators are warranted for 12 months.



## MODEL 5006

### DEMAND FLOW REGULATOR C10 ALUMINUM ANODIZED



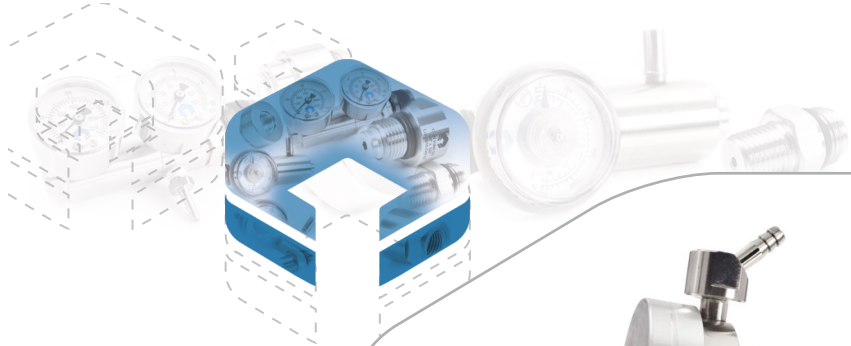
The Demand Flow Regulator is used for calibration gases, pump based instruments and handheld gas detectors. These regulators supply gas as demanded by the instrument and automatically shuts off.

#### Materials of construction

Body	Aluminum hard anodized
Neck	Aluminum hard anodized
Piston	Brass
Seats and Seals	Teflon, Viton & Buna-N
Diaphragm	Buna-N

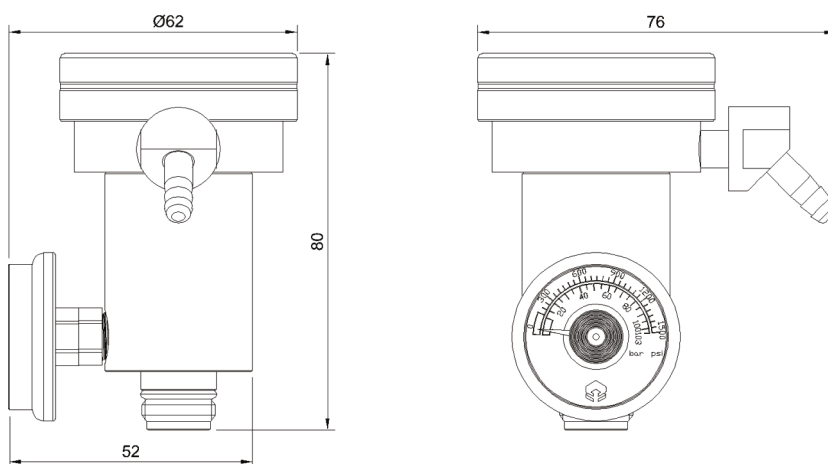
Model	Maximum Inlet Pressure	For Reactive Gases and/or Non-Reactive gases	Maximum Vacuum Required For 3.0L/ MN Flow	Inlet Connection	Outlet Connection	Gauge	Weight Kg
5006	0 to 1200 psig/ 83 bar	For Non - Reactive Gases	0 to 3" H2O /5.6 mm Hg	5/8" X 18 UN C10	3/16" Barb 4.8mm	Brass 0 to 1500 psig 103 bar	0.210 Kg

**Warranty:-** All regulators are warranted for 12 months.



## Model 5007

### DEMAND FLOW REGULATOR C10-45D-BRASS NP



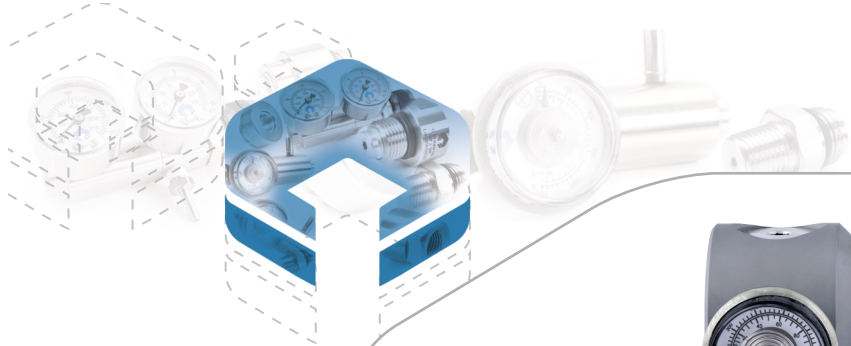
The Demand Flow Regulator is used for calibration gases, pump based instruments and handheld gas detectors. These regulators supply gas as demanded by the instrument and automatically shuts off.

#### Materials of construction

Body	Stainless Steel
Neck	Brass NP
Piston	Brass
Seats and Seals	Teflon, Viton & Buna-N
Diaphragm	Buna-N

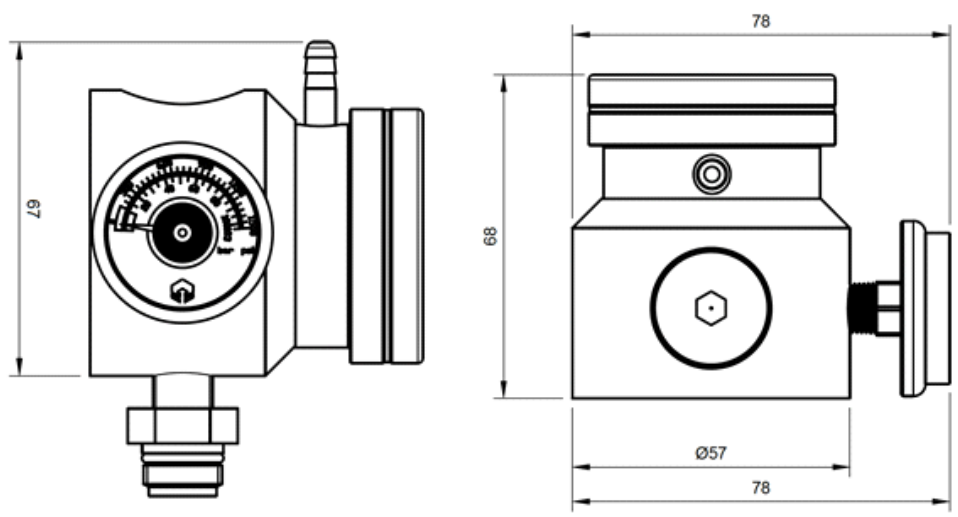
Model	Maximum Inlet Pressure	For Reactive Gases and/or Non-Reactive gases	Maximum Vacuum Required For 3.0L/ MN Flow	Inlet Connection	Outlet Connection	Gauge	Weight Kg
5007	0 to 1200 psig/ 83 bar	Brass NP - For Non - Reactive Gases	0 to 3" H2O /5.6 mm Hg	5/8" X 18 UN C10	3/16" Barb 4.8mm	Brass 0 to 1500 psig 103 bar	0.470 Kg

**Warranty:-** All regulators are warranted for 12 months.



## Model 5008

### COMPACT DEMAND FLOW REGULATOR C10 ALUMINIUM ANODIZED



The Compact Demand Flow Regulator (CDFR) is engineered to provide a constant and precise flow of calibration gas directly to instruments on demand. Its compact design allows easy integration into portable and fixed gas calibration setups, ensuring accuracy and convenience in limited-space environments. Constructed with hard anodized aluminium for durability and chemical compatibility to certain reactive gases, the CDFR delivers reliable performance for both field and laboratory applications.

#### Materials of construction

Body	Aluminium Hard Anodized
Gauge	Stainless Steel
Neck	Aluminium Hard Anodized
Piston	Brass
Seats and Seals	Viton, Teflon
Diaphragm	HNT
Cap	Aluminum

Model	Maximum Inlet Pressure	For Reactive Gases and/or Non-Reactive gases	Maximum Vacuum Required For 3.0L/ MN Flow	Inlet Connection	Outlet Connection	Gauge	Weight Kg
5008	0 to 1200 psig/ 83 bar	Aluminium For Non - Reactive Gases	0 to 3" H2O /5.6 mm Hg	5/8" X 18 UN C10	3/16" Barb 4.8mm	Stainless Steel 0 to 1500 psig 103 bar	0.470 Kg

**Warranty:-** All regulators are warranted for 12 months.



1-b, B.J.Industrial Estate, Ramchandra Cross Lane,  
Kachpada, Malad (West), Mumbai - 400 064, India

Tel- +91 22 28823868 M- 099677 52200

Email: [chetan@govindindustries.com](mailto:chetan@govindindustries.com)  
[info@govindindustries.com](mailto:info@govindindustries.com)

[www.govindindustries.com](http://www.govindindustries.com)